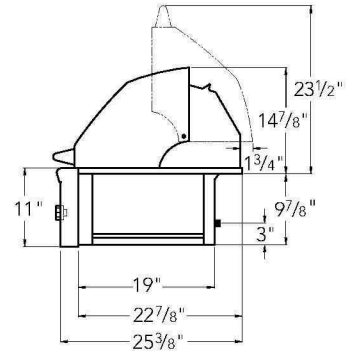
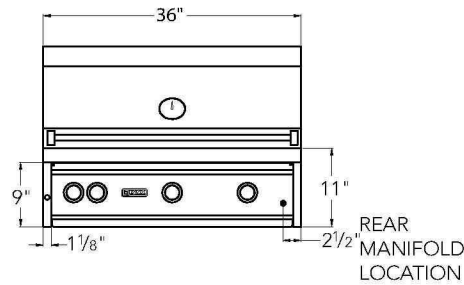


36" PROFESSIONAL GRILL



Built-In



36" PROFESSIONAL BUILT-IN GRILL

Model No. VQGI5361(N/L)SS

- Two cast brass burners and one ProSear 2™ Burner (73,000 BTUs)

935 sq. in. cooking surface (640 primary, 295 secondary)

Hot surface ignition system

Heat stabilizing design

Control illumination w/ blue LEDs

Dual halogen grill surface lights

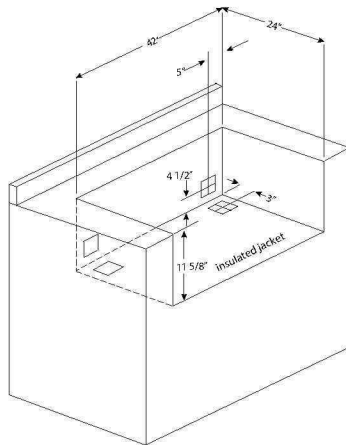
Temperature gauge

Removable large-capacity smoker box

Stainless steel grilling grates

Dual-position internally powered rotisserie w/ heavy-duty 3-speed motor & rear infrared burner

36" Cutout Dimensions



4" square holes for gas and electrical connections both left and right sides (rear or bottom access). Make these holes in the frame based on your requirements. 120V GFI outlet must be located within 6' of the 4" hole.

If using a countertop with overhang a 9/16" notch is required.

COOKING SURFACE

- 935 sq. in. cooking surface (640 primary / 295 secondary)

SHIPPING WEIGHTS & DIMENSIONS

- Built-In Grill: 291 lbs. / 46" x 31 1/2" x 33 3/4"
- Freestanding Grill: 414 lbs. / 46" x 31 1/2" x 54 1/2"

MODEL	DESCRIPTION
VQGI5361N/LSS	36" Built-In Grill - 1 ProSear2 IR Burner w/ Rotisserie
CQ536BI	36" Vinyl Cover (Built-In)
LJ36	Insulated Jacket for 36" Built-In-Grill

NOTE: Must specify gas type—N for Natural Gas or L for Propane