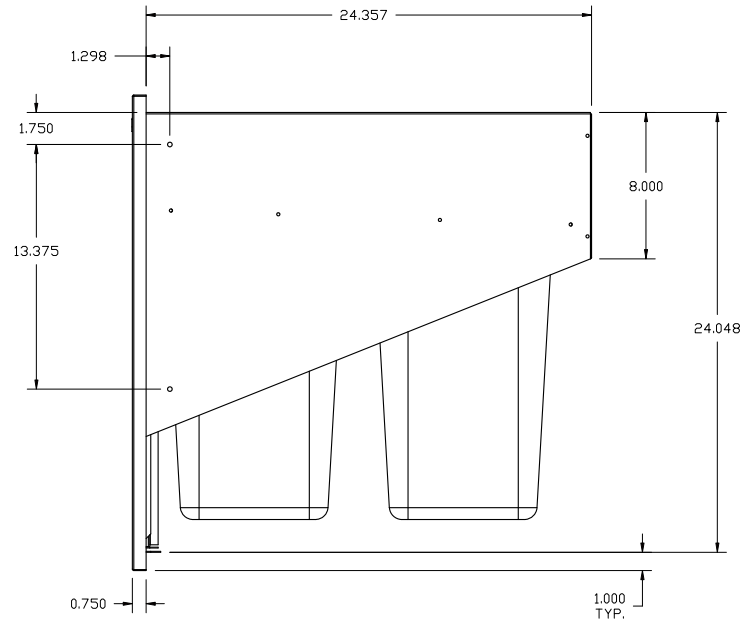
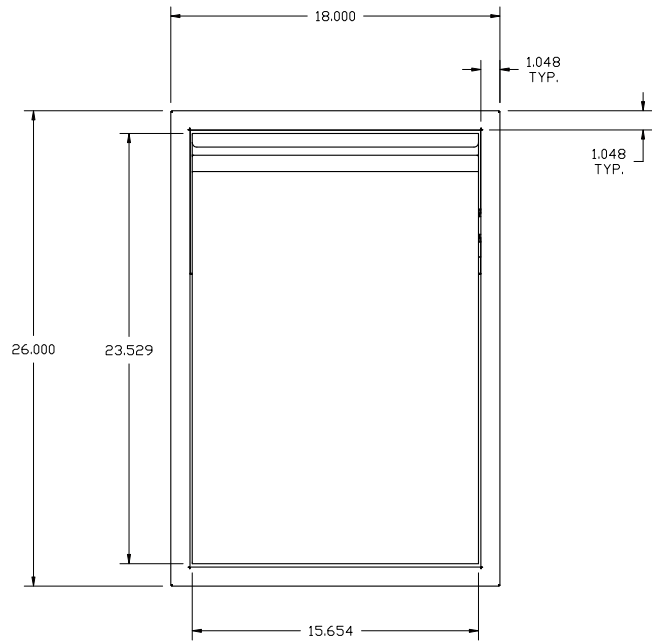
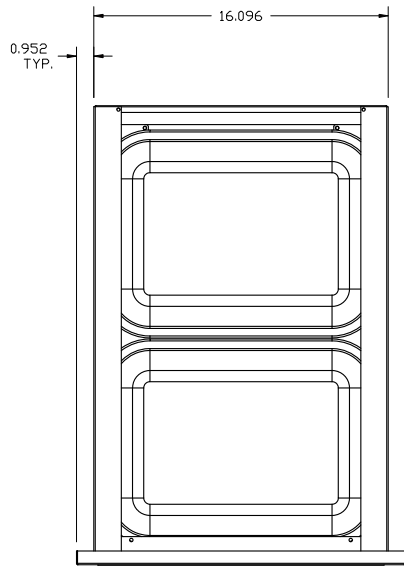


# TETD182T-B: 18" TWIN EAGLES DOUBLE TALL TRASH DRAWER



LAST UPDATE: 02/13