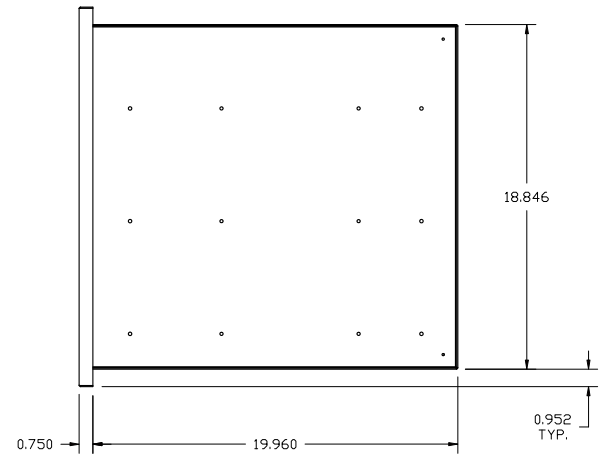
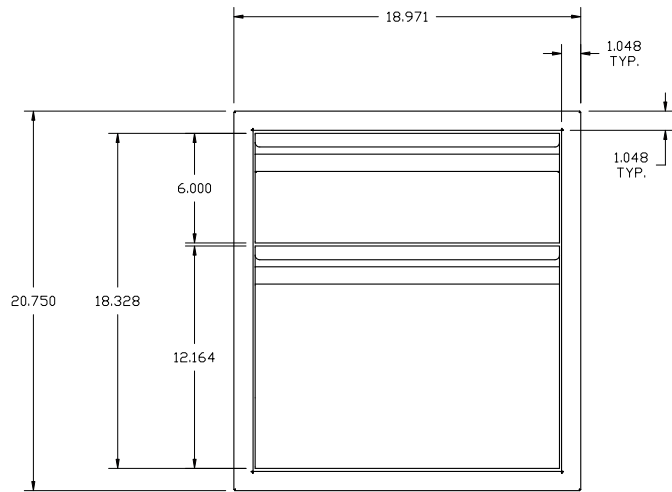
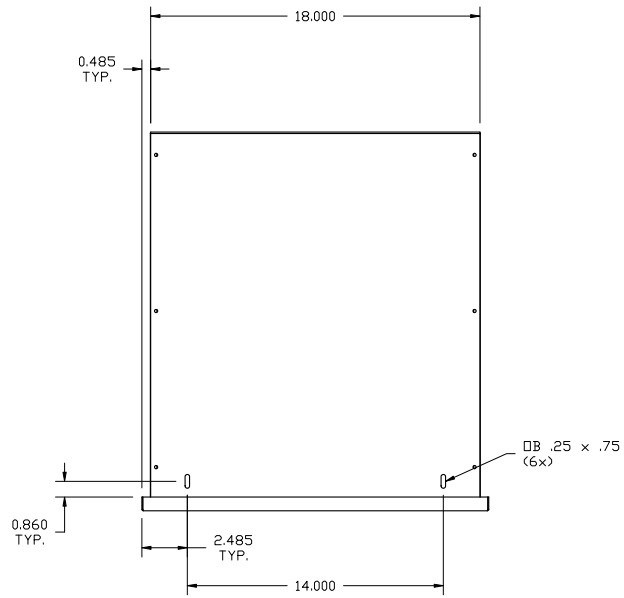


TESD192-B: 19" TWIN EAGLES DOUBLE STORAGE DRAWER



LAST UPDATE: 02/13