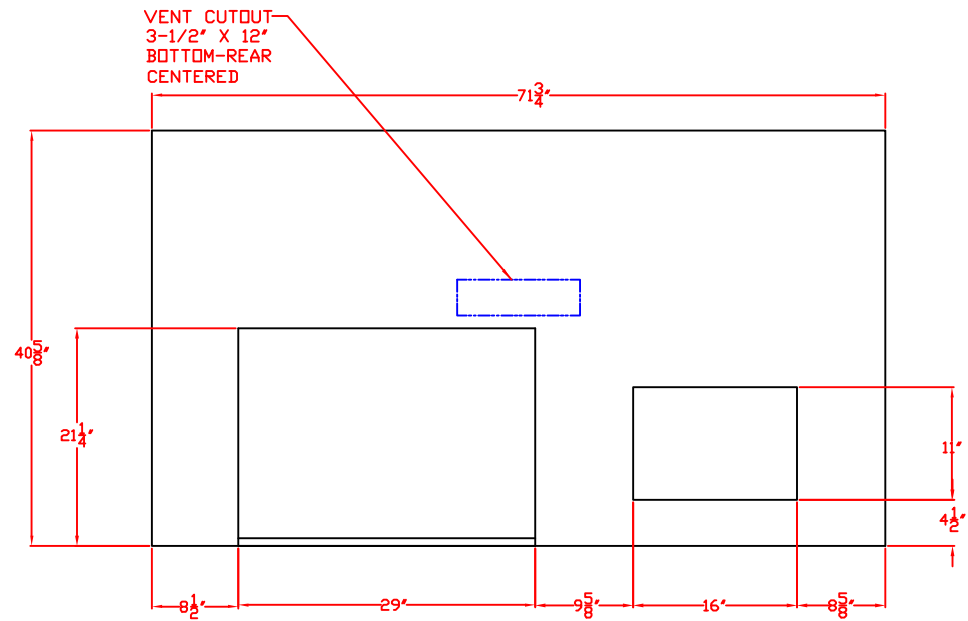


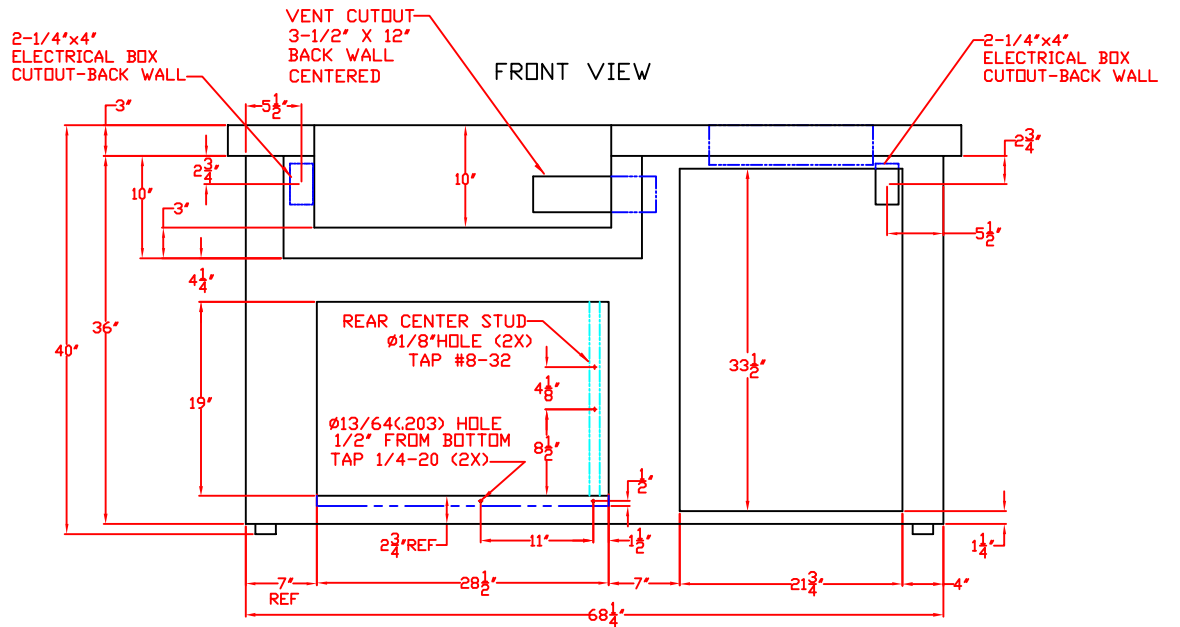
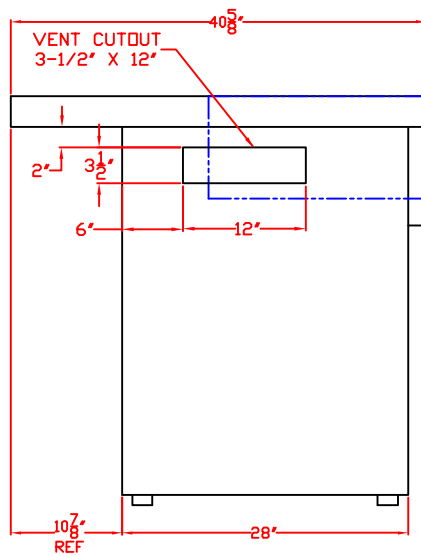
2/28/13

SEDONA BY LYNX  
L1500 ISLAND-CONSTRUCTION  
P/N 34193 (SANDALWOOD)  
P/N 34202 (FALCON GRAY)

HIDDEN ISLAND CUTOUTS  
SHOWN IN BLUE



LEFT SIDE VIEW



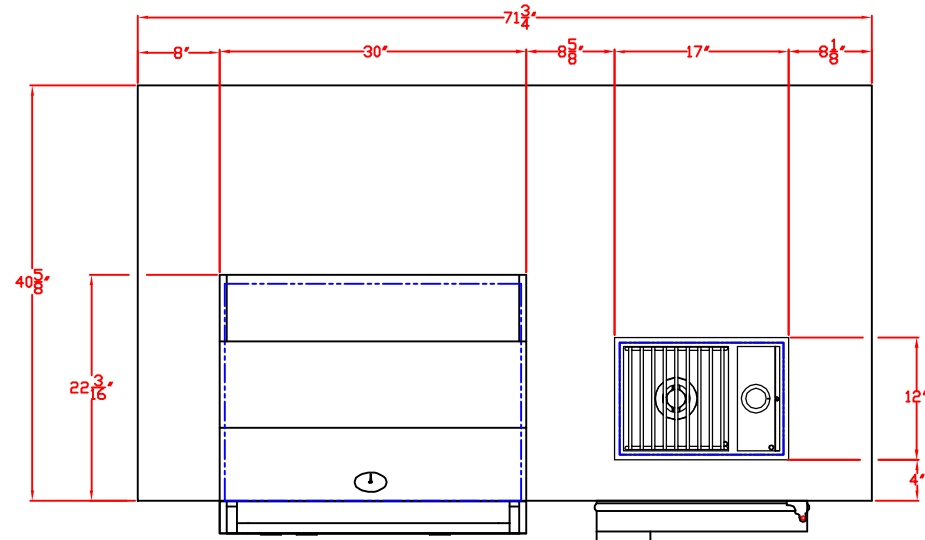
2/28/13

SEDONA BY LYNX  
L1500 ISLAND  
W/ DIMENSIONS

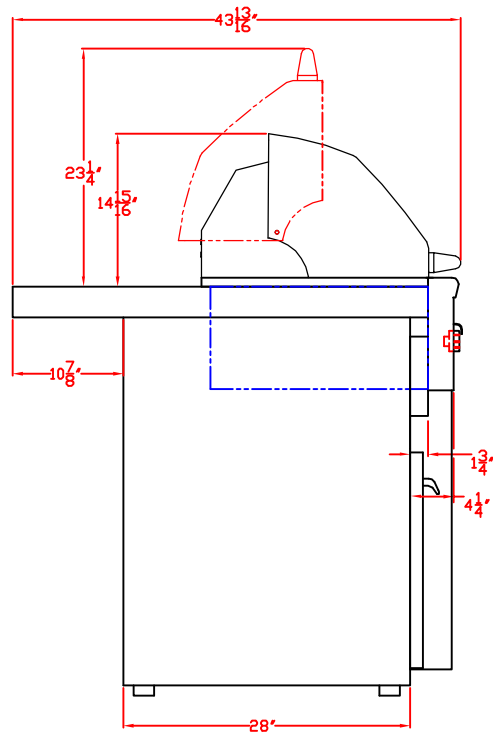
CONTAINS:

- 71-3/4" X 40-5/8" ISLAND
- L500PS-LP 30" GRILL
- L500REF REFRIGERATOR
- LSB501 SINGLE SIDEBURNER
- LDR530 30" DOUBLE DOORS

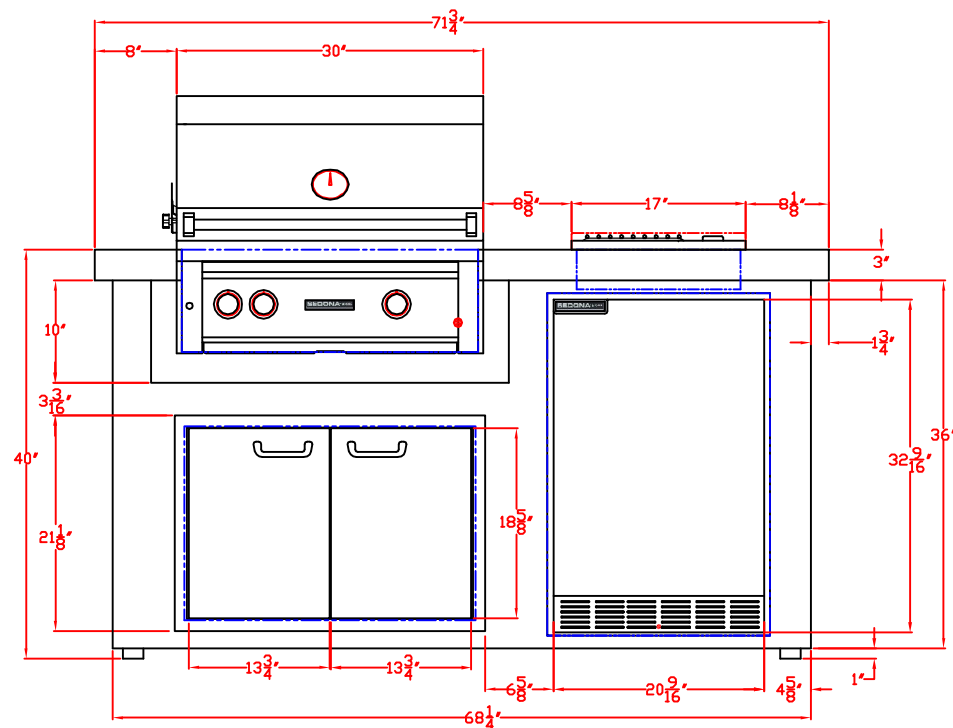
ISLAND CUTOUT SHOWN IN BLUE



TOP VIEW



LEFT SIDE VIEW



FRONT VIEW