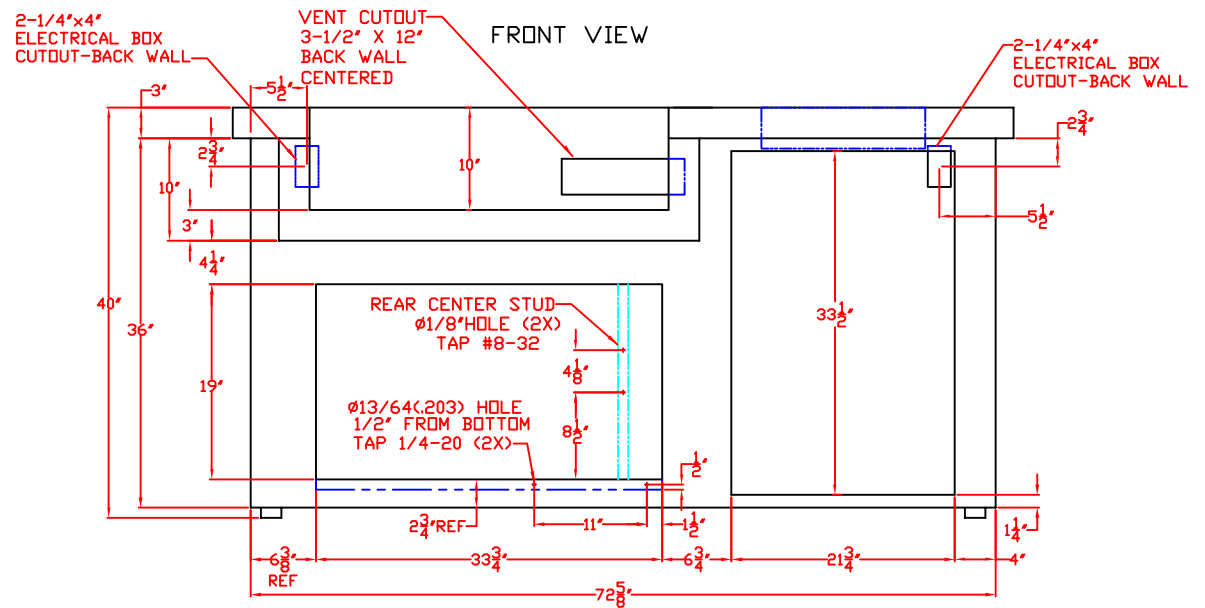
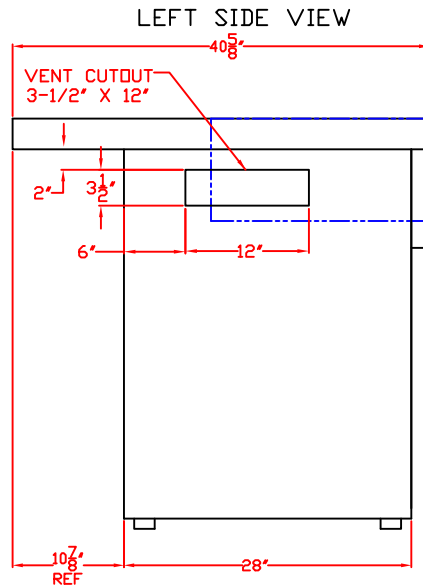
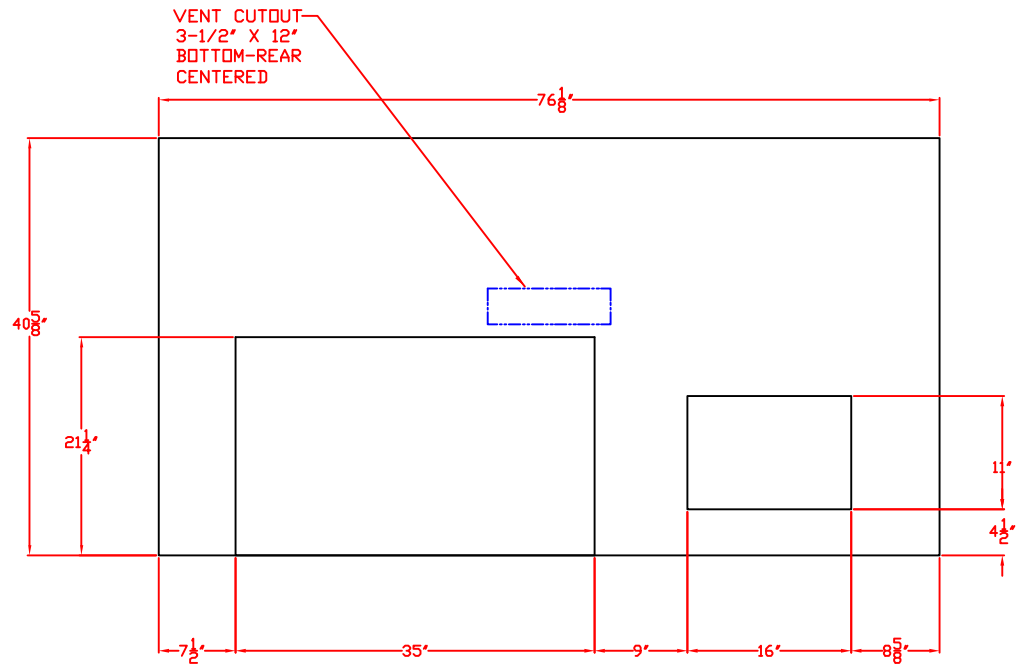


2/28/13

SEDONA BY LYNX
L1600 ISLAND-CONSTRUCTION
P/N 34195 (SANDALWOOD)
P/N 34204 (FALCON GRAY)

HIDDEN ISLAND CUTOUTS
SHOWN IN BLUE

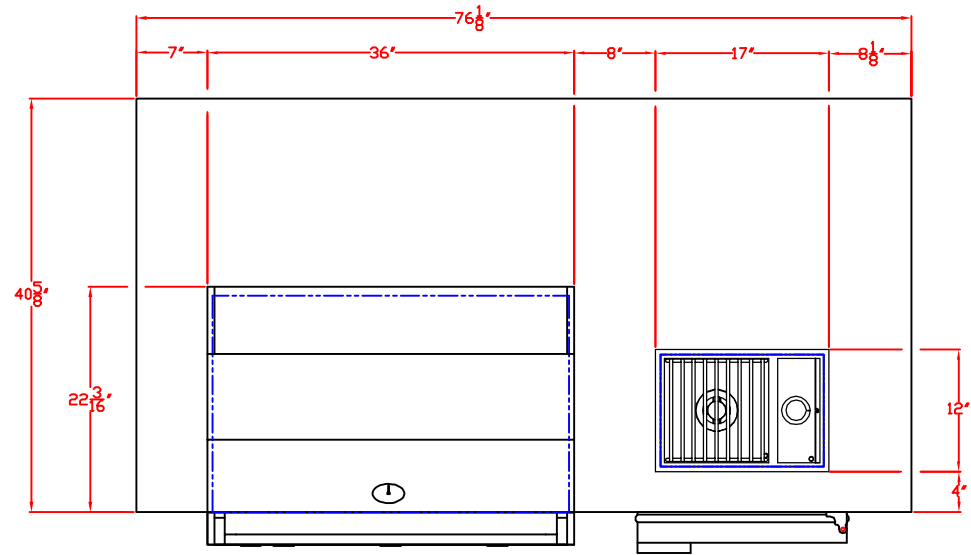


2/28/13

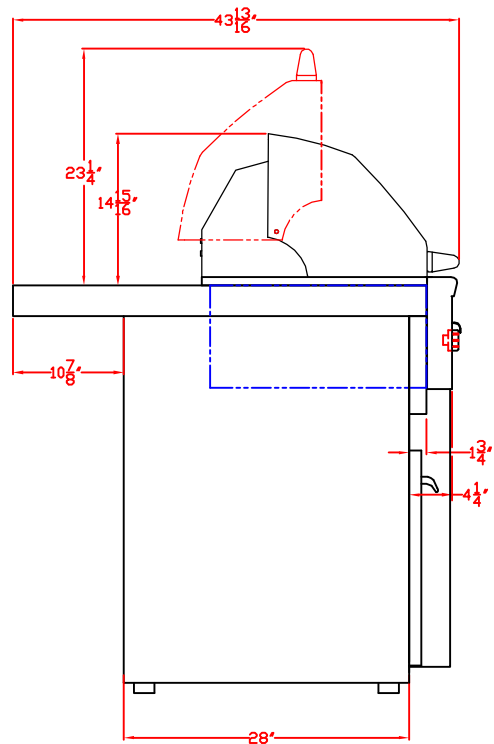
SEDONA BY LYNX
L1600 ISLAND
W/ DIMENSIONS

CONTAINS:

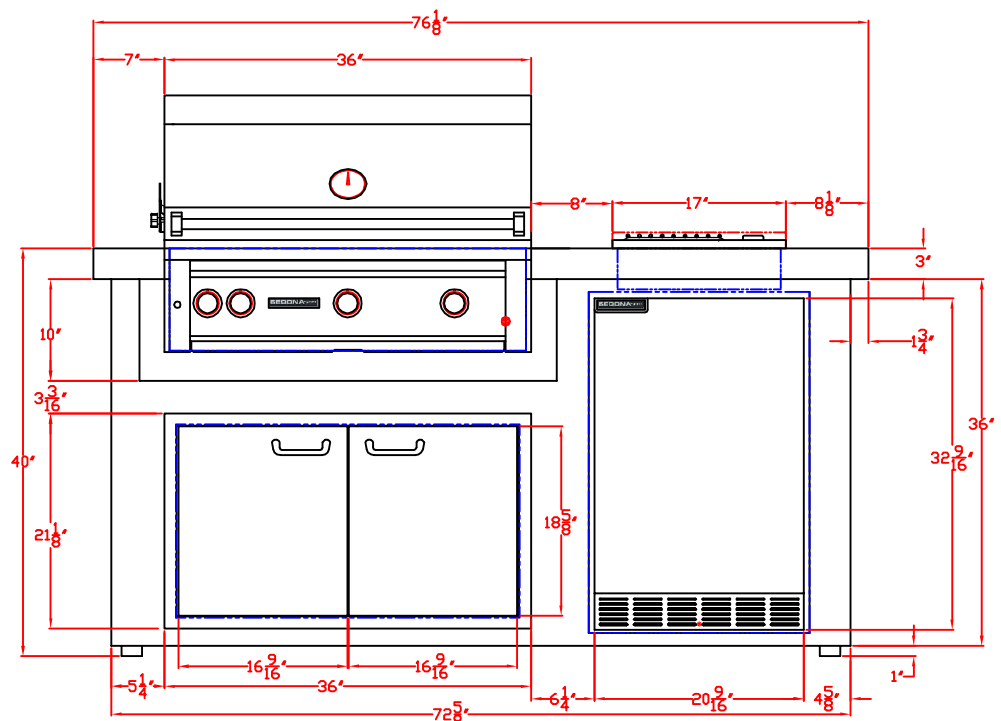
- 76-1/8" X 40-5/8" ISLAND
- L600PS-LP 36" GRILL
- L500REF REFRIGERATOR
- LSB501 SINGLE SIDEBURNER
- LDR636 36" DOUBLE DOORS



TOP VIEW



LEFT SIDE VIEW



FRONT VIEW