

SEDONA BY LYNX™ SERIES



LYNX
LIVE THE LYNX LIFE



LYNX LIFE	4
SEDONA BY LYNX™ SERIES	7
FEATURES	8
LYNX CHEF'S PANEL	10
BUILT-IN GRILLS	12
FREESTANDING GRILLS	18
SEDONA BY LYNX™ ADA® COMPLIANT GRILL	22
DESIGN CENTER	26
STORAGE SOLUTIONS	28
REFRIGERATOR	30
SINK AND DRINK SOLUTIONS	32
SEDONA ISLAND SOLUTIONS	34
FIREPITS	38
ACCESSORIES	40
SPECIFICATIONS & INSTALLATION	42
LIMITED WARRANTY	46

Lynx is committed to providing the best customer experience and product service possible. We have a dedicated team of highly trained professionals to answer your needs Monday–Friday during regular business hours.

For technical questions or service please
e-mail: service@lynxgrills.com
or call: 888.289.5969





LIVE THE LYNX LIFE

LYNXGRILLS.COM

It's more than a grill, it's a state of mind. Born in Southern California, and rooted in a mix of stunning geography, idyllic weather, stylish people, and healthy, adventurous cuisine. It's an environment that drives innovation, comfort, and ingenuity. A place that is the envy of a nation cursed to conform to the seasons.

It's only natural that a superior outdoor suite of cooking equipment would come from here. Where better to craft the perfect luxury lifestyle product?

More than just a place, more than just a grill, its a way of life.

We invite you to live the Lynx Life.





SEDONA BY LYNX™ SERIES

Easy, stylish and natural. Stunning to the senses. From simple foods, simply prepared, to luxurious cuisine crafted with flair. It's comfortable, clever and organic. It's spices with spirit, sauces that soothe.

The Sedona by Lynx™ fits comfortably in a world where luxury elements are balanced with well-worn staples. Where warm breezes mix with good friends and quiet moments. A world where big meals are designed to delight, or intimate dining is enjoyed under the stars.

[LYNXGRILLS.COM](http://lynxgrills.com)

The Sedona by Lynx™ Series is easy excellence. It's comfortable and flexible, always evolving to be the best at something new.

That philosophy is reflected in its features. We've refined these features to give you a grilling experience that's both simple and stunning. Whether you're cooking lemon butter tilapia or portobello mushrooms, fusion cuisine or time-tested favorites, the Sedona by Lynx™ helps you create sensational results.

When you want to relax, share amazing food with your friends, or try a new inspiration, the Sedona by Lynx™ is waiting.



PROSEAR™ INFRARED BURNER

To properly sear a generous cut of filet mignon, scallops, or even pineapple slices, you need an instant response from a powerful burner. The ProSear Infrared Burner delivers.

Acclaimed for its immediate response and 23,000 BTUs of intensive heat, the ProSear can also do more. Unlike a simple "searing burner" with limited settings, the ProSear is completely variable—so you can use it for delicate dishes as well.

It's plenty of power, at your control, and a lifetime warranty to back it up.



STAINLESS STEEL BURNERS

You know we believe in stainless steel.

Our 23,000 BTU burners are engineered to endure temperatures up to 2,000°F. That means it can perform under fire, and perform for years—in fact, our stainless steel burners come with a lifetime warranty. Paired with our ceramic radiant briquettes, these burners provide a quick and even heat that you can tailor for perfect results year after year.



CERAMIC RADIANT BRIQUETTES

Perfect outdoor cooking begins with even heat.

Charcoal briquettes can form a steady glow of heat beneath your food—but traditional gas grill burners can create irregular hot spots, forcing you to continually flip and move your food to achieve an even finish.

With Lynx Ceramic Briquettes, your gas grill emanates a perfectly even heat across the base of your grill.

For your convenience, in five minutes, you can cleanse the briquettes by reversing the tray and raising the heat.



SEAMLESS WELDED CONSTRUCTION

The Lynx workshop in California is a study in skill, a lesson in craft.

A welder pauses to focus on an unwelded seam. . . then, with one swift and steady stroke, he sweeps his torch across the seam—like painting a perfect line—and an unbroken edge emerges.

It's over in a second, and that's how it has to be done. We do not use mechanical fasteners. We form every sheet of metal into a solitary, seamless body of shimmering steel, free of gaps and seams where moisture could collect. Hand-tooled, precision welded, and highly polished by the skilled specialists in our shop, each and every grill is inspected before it leaves our floor. We examine details on every side, step back, and check reflections in every light, to ensure that your grill embodies Lynx—finished with invisible welds and hand-polished edges that shine like mirrors.



EXPANSIVE GRILLING SURFACE

The Lynx Life is expansive and deep. It has space to move and relax, always has room for more, and never feels limited or confined.

So, we built our grills with more space in mind.

Our expansive grilling surfaces provide greater depth, extending to more than 20 inches deep on most models.

You might not need it all. It just feels good to have it.



ROTISSERIE SYSTEM

A rotisserie unlocks a new realm of food. There is no better way to carefully and evenly cook generous meats like whole chickens and roasts, or baskets of vegetables, chicken wings, and sides.

The Lynx Rotisserie has a dedicated burner and optional Lynx Rotisserie Basket, allowing you to carefully cook smaller dishes and sides while preparing a main dish—you can even roast your own coffee beans.

It's simply mesmerizing to watch the rotisserie steadily turn, summoning mouth-watering aroma as it elicits a crisp exterior and succulent interior for lemon rotisserie chicken, red wine leg of lamb, a honey glazed ham, or a bourbon pork roast. The image lingers for a while, but the aroma is unforgettable.

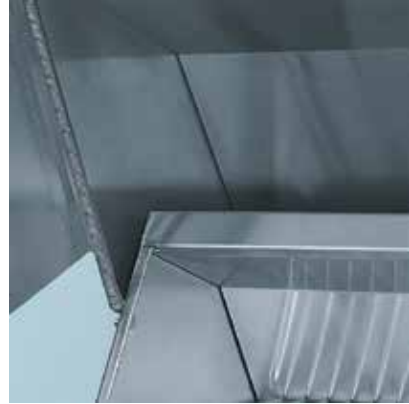


SPARK IGNITION SYSTEM

The perfect meal begins with a spark.

The Lynx Spark Ignition System lights your grill quickly and safely, with just the push of a knob.

With electric ignition and a battery back-up, you don't need to try more than once. Now you can be certain that, when you're ready to grill, your grill will respond.



LYNX HOOD ASSIST

Solid stainless steel gives our grills a sense of substance.

They feel firm at every touch, with a sound and an aura of permanence.

But you can lift the hoods with just a finger—each one is centrally balanced, and has a heat-treated assist system that makes it surprisingly weightless to open and close.

You'll probably do it twice—just to feel it again.

Go ahead. Everyone does.



INTEGRATED ILLUMINATION

There's a mystical air that arises just as the sun starts to set and the evening arrives.

It's a beautiful time to grill... if you can.

Every Lynx grill incorporates elegant blue illumination emanating from each knob with a calm blue light. As you lift the lid, intuitive halogen illumination shows you exactly how your food is looking.

So, just check in on your food.

Then, get back to basking in the sundown grill aroma. It seems to steal an amber essence from the last of the sun.

THE LYNX CHEF'S PANEL

Experience counts.

We understand that, from the work that skilled artisans perform in our workshop each day. Experience is the only way to create the beautiful finishes, the flawless seams, and the precise alignments that you find in all our Lynx products.

And experience counts in the world of cuisine. That's why we consult with culinary masters to gather feedback, develop innovations, and follow the latest inspirations in flavor.

To stay inspired, visit lynxgrills.com and visit the **Lynx Life** menu to see our Chef's Panel and follow us on social media.



KENT RATHBUN

DALLAS, TX

RESTAURATEUR AND IRON CHEF WINNER

"As a chef I have been fortunate enough to work with many brands of equipment but when it comes to outdoor appliances, I find Lynx to be the Porsche of outdoor kitchen products."



ANDRÉS DANGOND

DOWNEY, CA

LYNX EXECUTIVE CHEF AND DIRECTOR OF CULINARY DEVELOPMENT

"The thing that blows my mind every time I turn on a Lynx Grill is how insanely hot it can get in a short amount of time. Realizing how fast it responds to heat adjustments when cooling it down for slow cooking after searing, or quickly heating up for reverse searing, made me realize we can almost forget everything we know about traditional grilling. These machines are perfect."



DONATELLA ARPAIA

NEW YORK, NY

IRON CHEF JUDGE AND RESTAURATEUR

"My Lynx outdoor kitchen is beautiful, powerful and uses the latest technology. The grill cooks more evenly than any other grill and the made in America craftsmanship made it the only choice for me. There isn't anything I can't cook outside that I can inside. Our outdoor kitchen has become the heart of our home."



ELIZABETH BLAU & KIM CANTEENWALLA

LAS VEGAS, NV

CHEF/RESTAURATEUR

"We are very proud to be joining the Lynx Chef Panel. Our Lynx grill is a success. We truly feel there is no competitor that can hold a candle to Lynx in terms of outdoor grilling."



KEVIN GARVIN

DALLAS, TX

EXECUTIVE CHEF, NEIMAN MARCUS RESTAURANTS

"I like to use my outdoor Lynx grill as often as I can and nothing is better than searing a nice New York steak at 500° to 600°. It's that outside crispy char that I strive for all the time. Thanks for building the greatest grills in the world!"



GLENN LYMAN

CHARLOTTE, NC

PERSONAL CHEF TO HIGH PROFILE ATHLETES

"When I think about time spent around the grill, I recall a lifetime of experience and quality time with family and friends. I cherish the memories of hanging out around the grill, sharing stories, swapping recipes, and making plans for the next gathering. Imagining the great taste and smell of grilled food sparks up nostalgia I will never forget. Thanks to the championship quality of Lynx, I have a real home-court advantage in the outdoor kitchen."



MICHAEL SCHWARTZ

MIAMI BEACH, FL

CHEF/RESTAURATEUR

"I'm honored to be part of the Lynx Chef Panel and work with its innovative products. Grilling is one of the simplest ways to build flavor into a dish and has always played an important role in my approach to cooking."



SEDONA BY LYNX™ BUILT-IN GRILLS

A built-in Sedona by Lynx grill is the radiant centerpiece for your outdoor experience.

SEDONA BY LYNX™ 42" BUILT-IN GRILL



PRODUCT OVERVIEW

- Diverse choices—available in four different configurations
- Generous capacity—1,049 square inches of cooking surface (728 primary, 321 secondary)
- Consistent assurance—direct spark ignition with battery backup
- Perfect clarity—dual halogen grill surface lights
- Quick visibility—temperature gauge
- Easy opening—Lynx Hood Assist
- Steadfast durability—heavy-duty welded construction eliminates gaps where grease can collect
- Beautiful illumination—blue-lit control knobs
- Smooth movement—fluid rotation handle

- Premier platform—stainless steel grilling grates
- Ready rotisserie—dedicated rotisserie back burner, motor, spit rods, and forks (on rotisserie models)

MODEL	DESCRIPTION
L700	42" Built-In Grill – 3 Stainless Steel Burners
L700R	42" Built-In Grill – 3 Stainless Steel Burners with Rotisserie
L700PS	42" Built-In Grill – 1 ProSear Burner & 2 Stainless Steel Burners
L700PSR	42" Built-In Grill – 1 ProSear Burner & 2 Stainless Steel Burners with Rotisserie
LIJ700	Insulating Jacket for 42" Built-In Grill
VC700	42" Vinyl Cover (built-in)

NOTE: Must Specify Gas Type – NG for Natural Gas or LP for Propane

SEDONA BY LYNX™ 36" BUILT-IN GRILL



PRODUCT OVERVIEW

- Diverse choices—available in four different configurations
- Ample capacity—891 square inches of cooking surface (618 primary, 273 secondary)
- Consistent assurance—direct spark ignition with battery backup
- Perfect clarity—dual halogen grill surface lights
- Quick visibility—temperature gauge
- Easy opening—Lynx Hood Assist
- Steadfast durability—heavy-duty welded construction eliminates gaps where grease can collect
- Beautiful illumination—blue-lit control knobs
- Smooth movement—fluid rotation handle



OPEN VIEW

- Premier platform—stainless steel grilling grates
- Ready rotisserie—dedicated rotisserie back burner, motor, spit rods, and forks (on rotisserie models)

MODEL	DESCRIPTION
L600	36" Built-In Grill – 3 Stainless Steel Burners
L600R	36" Built-In Grill – 3 Stainless Steel Burners with Rotisserie
L600PS	36" Built-In Grill – 1 ProSear Burner & 2 Stainless Steel Burners
L600PSR	36" Built-In Grill – 1 ProSear Burner & 2 Stainless Steel Burners with Rotisserie
LJ600	Insulating Jacket for 36" Built-In Grill
VC600	36" Vinyl Cover (built-in)

NOTE: Must Specify Gas Type – NG for Natural Gas or LP for Propane

SEDONA BY LYNX™ 30" BUILT-IN GRILL



PRODUCT OVERVIEW

- Diverse choices—available in four different configurations
- Ample capacity—733 square inches of cooking surface (508 primary, 225 secondary)
- Consistent assurance—direct spark ignition with battery backup
- Perfect clarity—dual halogen grill surface lights
- Quick visibility—temperature gauge
- Easy opening—Lynx Hood Assist
- Steadfast durability—heavy-duty welded construction eliminates gaps where grease can collect
- Beautiful illumination—blue-lit control knobs
- Smooth movement—fluid rotation handle



OPEN VIEW

- Premier platform—stainless steel grilling grates
- Ready rotisserie—dedicated rotisserie back burner, motor, spit rods, and forks (on rotisserie models)

MODEL	DESCRIPTION
L500	30" Built-In Grill – 2 Stainless Steel Burners
L500R	30" Built-In Grill – 2 Stainless Steel Burners with Rotisserie
L500PS	30" Built-In Grill – 1 ProSear Burner & 1 Stainless Steel Burner
L500PSR	30" Built-In Grill – 1 ProSear Burner & 1 Stainless Steel Burner with Rotisserie
LJ500	Insulating Jacket for 30" Built-In Grill
VC500	30" Vinyl Cover (built-in)

NOTE: Must Specify Gas Type – NG for Natural Gas or LP for Propane



MODEL SVH36 / SVH42 / SVH48

VENT HOOD

- Powerful internal blower—venting the hood at 1,200 CFM
- Plentiful performance—four 12-inch by 14-inch baffle filters
- Tapered profile—a 32-inch depth at the bottom sloping to a 15-inch depth at the top
- Perfectly placed illumination—dimnable 50-watt halogen lights
- Lasting simplicity—baffle filters are durable and dishwasher-safe



MODEL LIJ500/LIJ600/LIJ700

INSULATED JACKET

- Secure assurance—required for grills installed in islands with combustible materials
- Steadfast durability—heavy-duty welded construction



MODEL VC700 / VC600 / VC500

VINYL COVER FOR BUILT-IN GRILL

- Perfect protection—a custom tailored fit
- Delicate touch—felt lining protects stainless steel finishes
- Quick placement—nylon finger loops help pull and secure the cover in place
- Lasting resilience—tough textured vinyl
- Secure durability—pocket seams for lasting quality and a flexible cord for a close fit

NOTE: NG for Natural Gas and LP for Propane



MODEL LSB501

SINGLE SIDE BURNER

- Versatile intensity—one burner that you can turn from low simmer up to intense heat at 12,500 BTU
- Proven dependability—reliable spark ignition system
- Beautiful coverage—stainless steel cover to protect the burner when not in use
- Clean finish—burners and burner basin are sealed and easy to clean
- Striking illumination—backlit blue control knobs
- Steadfast durability—heavy-duty welded construction eliminates gaps where grease can collect



MODEL LSB502

DOUBLE SIDE BURNER

- Versatile intensity—two burners that you can turn from low simmer up to intense heat at 12,500 BTUs per burner
- Proven dependability—reliable spark ignition system
- Beautiful coverage—stainless steel cover to protect the burner when not in use
- Clean finish—burners and burner basin are sealed and easy to clean
- Striking illumination—backlit blue control knobs
- Steadfast durability—heavy-duty welded construction eliminates gaps where grease can collect

MODEL	DESCRIPTION
LSB501	Single Side Burner
LSB502	Double Side Burner
SVH36	36" Vent Hood includes 1200 CFM internal blower
SVH42	42" Vent Hood includes 1200 CFM internal blower
SVH48	48" Vent Hood includes 1200 CFM internal blower
SDC1236	12" External Duct Cover for 36" Vent Hood
SDC1242	12" External Duct Cover for 42" Vent Hood
SDC1248	12" External Duct Cover for 48" Vent Hood
LIJ500	Insulated Jacket 30" Grill
LIJ600	Insulated Jacket 36" Grill
LIJ700	Insulated Jacket 42" Grill
SEDLPK	NG to LP Grill Conversion Kit
SEDNGK	LP to NG Grill Conversion Kit
VC500	30" Vinyl Cover Built-In
VC600	36" Vinyl Cover Built-In
VC700	42" Vinyl Cover Built-In



SEDONA BY LYNX™ 42" FREESTANDING GRILL



PRODUCT OVERVIEW

- Diverse choices—available in four different configurations
- Generous capacity—1,049 square inches of cooking surface (728 primary, 321 secondary)
- Consistent assurance—direct spark ignition with battery backup
- Perfect clarity—dual halogen grill surface lights
- Quick visibility—temperature gauge
- Easy opening—Lynx Hood Assist
- Steadfast durability—heavy-duty welded construction eliminates gaps where grease can collect
- Beautiful illumination—blue-lit control knobs
- Smooth movement—fluid rotation handle
- Premier platform—stainless steel grilling grates
- Ready rotisserie—dedicated rotisserie back burner, motor, spit rods, and forks (on rotisserie models)



OPEN VIEW

**SEDONA BY LYNX™
FREESTANDING GRILLS**

A freestanding Sedona by Lynx™ grill lets you move your grill for a new setting or season.

MODEL	DESCRIPTION
L700F	42" Freestanding Grill – 3 Stainless Steel Burners
L700FR	42" Freestanding Grill – 3 Stainless Steel Burners with Rotisserie
L700PSF	42" Freestanding Grill – 1 ProSear Burner & 2 Stainless Steel Burners
L700PSFR	42" Freestanding Grill – 1 ProSear Burner & 2 Stainless Steel Burners with Rotisserie
VC700F	42" Vinyl Cover (freestanding)

NOTE: Must Specify Gas Type – NG for Natural Gas or LP for Propane
NOTE: Freestanding "F" models come shipped pre-assembled from the factory
NOTE: Grill and cart may also be purchased separately. Assembly required by homeowner

SEDONA BY LYNX™ 36" FREESTANDING GRILL



PRODUCT OVERVIEW

- Diverse choices—available in four different configurations
- Ample capacity—891 square inches of cooking surface (618 primary, 273 secondary)
- Consistent assurance—direct spark ignition with battery backup
- Perfect clarity—dual halogen grill surface lights
- Quick visibility—temperature gauge
- Easy opening—Lynx Hood Assist
- Steadfast durability—heavy-duty welded construction eliminates gaps where grease can collect
- Beautiful illumination—blue-lit control knobs
- Smooth movement—fluid rotation handle
- Premier platform—stainless steel grilling grates
- Ready rotisserie—dedicated rotisserie back burner, motor, spit rods, and forks (on rotisserie models)



OPEN VIEW

MODEL	DESCRIPTION
L600F	36" Freestanding Grill – 3 Stainless Steel Burners
L600FR	36" Freestanding Grill – 3 Stainless Steel Burners with Rotisserie
L600PSF	36" Freestanding Grill – 1 ProSear Burner & 2 Stainless Steel Burners
L600PSFR	36" Freestanding Grill – 1 ProSear Burner & 2 Stainless Steel Burners with Rotisserie
VC600F	36" Vinyl Cover (freestanding)

NOTE: Must Specify Gas Type – NG for Natural Gas or LP for Propane
NOTE: Freestanding "F" models come shipped pre-assembled from the factory
NOTE: Grill and cart may also be purchased separately. Assembly required by homeowner

SEDONA BY LYNX™ 30" FREESTANDING GRILL



PRODUCT OVERVIEW

- Diverse choices—available in four different configurations
- Ample capacity—733 square inches of cooking surface (508 primary, 225 secondary)
- Consistent assurance—direct spark ignition with battery backup
- Perfect clarity—dual halogen grill surface lights
- Quick visibility—temperature gauge
- Easy opening—Lynx Hood Assist
- Steadfast durability—heavy-duty welded construction eliminates gaps where grease can collect
- Beautiful illumination—blue-lit control knobs
- Smooth movement—fluid rotation handle
- Premier platform—stainless steel grilling grates
- Ready rotisserie—dedicated rotisserie back burner, motor, spit rods, and forks (on rotisserie models)



OPEN VIEW

MODEL	DESCRIPTION
L500F	30" Freestanding Grill – 2 Stainless Steel Burners
L500FR	30" Freestanding Grill – 2 Stainless Steel Burners with Rotisserie
L500PSF	30" Freestanding Grill – 1 ProSear Burner & 1 Stainless Steel Burner
L500PSFR	30" Freestanding Grill – 1 ProSear Burner & 1 Stainless Steel Burner with Rotisserie
VC500F	30" Vinyl Cover (freestanding)

NOTE: Must Specify Gas Type – NG for Natural Gas or LP for Propane
NOTE: Freestanding "F" models come shipped pre-assembled from the factory
NOTE: Grill and cart may also be purchased separately. Assembly required by homeowner



Lynx is proud to introduce the first freestanding cart grill designed for individuals with disabilities. Yet another Lynx first, this ADA compliant unit is very accessible, extremely practical, and has all the amazing features of the Sedona by Lynx™ Grill. Available in 30" and 36" freestanding cart sizes, with or without rotisserie option.

MEET MICHAEL

The ADA grill is an achievement of passion, vision, and a unique partnership that steered the development process. When the Lynx engineering team began designing the ADA grill, we knew we needed an authentic voice to guide its development. Through a mutual friend, we were introduced to Michael (out of respect for privacy, we refrain from including his last name). Michael is a C7 quadriplegic, having suffered a break in his 7th cervical spinal cord segment in a diving board accident that left him paralyzed from the chest down.

Michael was involved in shaping key features of the ADA grill; the propane tank holder, the insulated bullnose, and the grill storage system to name a few. We were happy to hear that core features of our Sedona by Lynx™ grills, such as the Lynx Hood Assist were his favorite features. Michael's contributions on improving the accessibility features of the ADA grill has been invaluable. His insight into the people and families that comprise the disabled community has had impact beyond measure.

We started out as partners. We are glad to call Michael a friend. Thank you for all your contributions Michael. We couldn't have done it without you.

*Americans with Disabilities Act of 1990



ADA GRILL

- 32" High cooking surface
- 8" Toekick



LID HANDLE

- Adjustable side handle for less than a 42" reach
- Hood assist makes raising and lowering nearly effortless



PROPANE TANK HOLDER

- Side or rear mounted propane tank is very accessible



INSULATED BULLNOSE

- Safe to touch while grilling



GRILL STORAGE SYSTEM

- 2 easy side drawers means no reaching under the grill for tools



ADA KNOB

- Specifically designed to be ADA compliant

MODEL	DESCRIPTION
L500ADA	30" Grill – 1 ProSear Burner & 1 Stainless Steel Burner (freestanding)
L500ADAR	30" Grill – 1 ProSear Burner & 1 Stainless Steel Burner with Rotisserie (freestanding)
L600ADA	36" Grill – 1 ProSear Burner & 2 Stainless Steel Burners (freestanding)
L600ADAR	36" Grill – 1 ProSear Burner & 2 Stainless Steel Burners with Rotisserie (freestanding)
VC30ADA	30" Vinyl Cover (freestanding)
VC36ADA	36" Vinyl Cover (freestanding)
ADAKIT	Kit includes 4 Knobs & 1 Hood Handle

NOTE: Must Specify Gas Type – NG for Natural Gas or LP for Propane



Shown: Model No. S36CART

Sedona cart bases offer mobility and a freestanding option. Standard features include casters, locking brakes on the carts, and flush handles with mirrored accents.

MODEL	DESCRIPTION
S42CART	Cart for 42" Grill
S36CART	Cart for 36" Grill
S30CART	Cart for 30" Grill

NOTE: Freestanding "F" models come shipped pre-assembled from the factory
NOTE: Grill and cart may also be purchased separately. Assembly required by homeowner

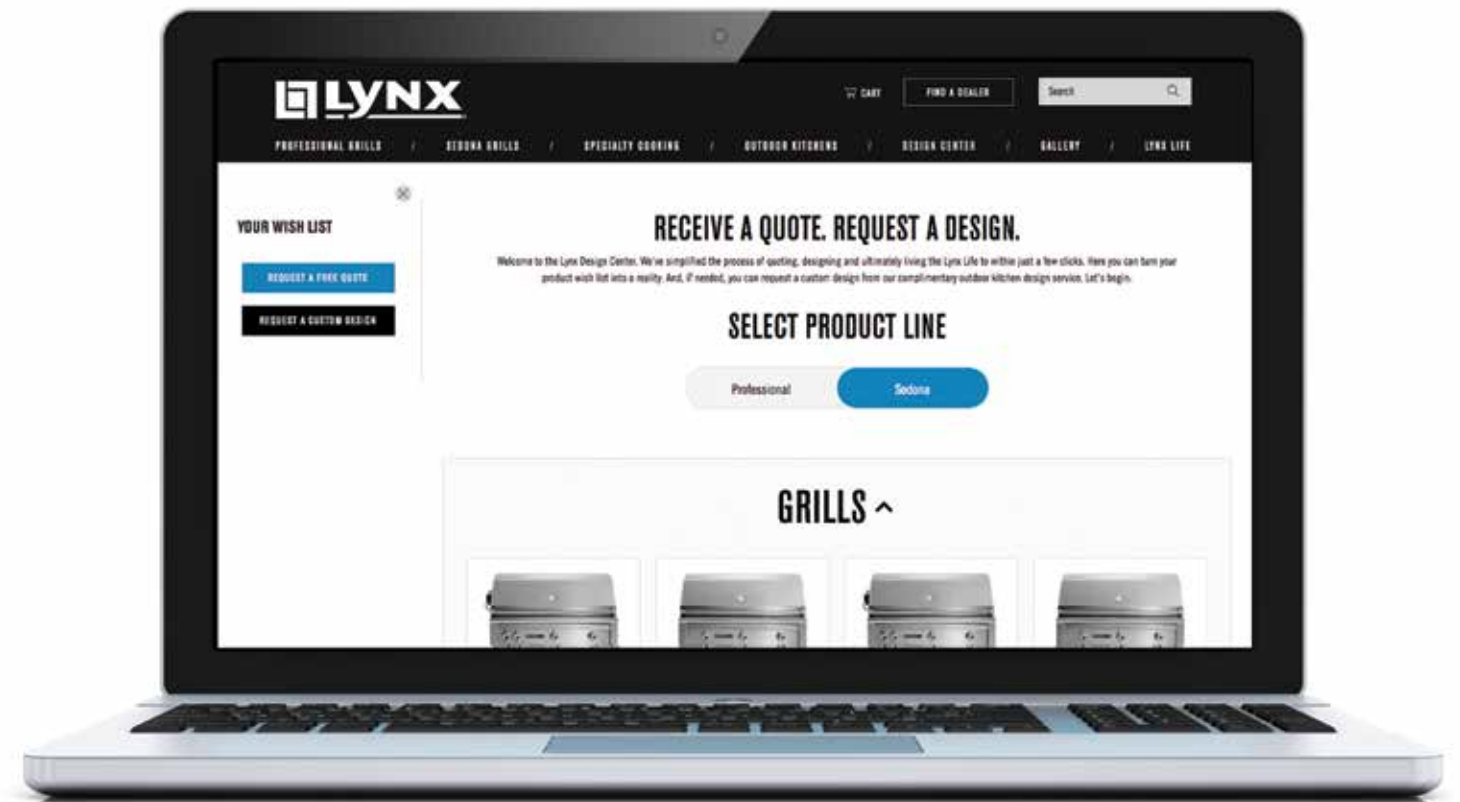


Lynx stainless steel is legendary for its durability. A cover can help you be sure that its beauty is always ready to shine. Lynx covers are custom tailored to each piece and designed to carefully preserve the gleam of stainless steel with a rugged outer shell.

MODEL	DESCRIPTION
VC500F	30" Vinyl Cover Freestanding
VC600F	36" Vinyl Cover Freestanding
VC700F	42" Vinyl Cover Freestanding
VC30ADA	30" Vinyl Cover Freestanding ADA
VC36ADA	36" Vinyl Cover Freestanding ADA



DESIGN CENTER



DESIGN CENTER

We've simplified the process of quoting, designing and transforming outdoor grilling into outdoor living with just a few clicks. The Design Center is where you can turn your product wish list into a reality. And, if needed, you can request a custom design from our complimentary outdoor kitchen design service.

THE PERFECT OUTDOOR KITCHEN IS THE CULMINATION OF SUPERB OPTIONS, CAREFUL SELECTION, AND BRILLIANT DESIGN.

At the end, you'll have a perfectly personal place where you always feel at home. That's the Lynx Life, and we want to help you achieve it. So we've created an easy path to excellence.

Just visit lynxgrills.com and choose **Design Center**.

There, you can request a free price quote for a wish list of products from your local Lynx dealer. Or, you can request a complimentary custom design from our outdoor kitchen designers—just fill out the details in our simple online form. To peruse the options, start a wish list, or just start dreaming, visit us today.

We promise to amaze you.



SEDONA BY LYNX™ STORAGE SOLUTIONS

When you're outside, it's where you want to stay. That means having the things you need where you need them. From wine decanters to serving trays, keep everything pristine and ready.

SEDONA BY LYNX™ STORAGE SOLUTIONS



MODEL LDR418 / LDR424 / LDR530 / LDR636 / LDR742

SINGLE ACCESS DOORS/DOUBLE ACCESS DOORS

- Diverse choices—available in 18", 24", 30", 36" and 42" widths
- Easy access—provides access to storage under your island



MODEL LUD519

19" ENCLOSED DOUBLE DRAWERS

- Smooth transition—double drawers with full extension glides
- Convenient access—23-inch depth to store oversized items like grilling tools and serving utensils



MODEL L18TC

OUTDOOR TRASH CENTER

- Essential addition—convenient disposal for packages and clean-up
- Quick clean-up—includes a heavy-duty removable receptacle for trash
- Subtle convenience—provides an appealing concealed option
- Easy opening—simple tilt-out access
- Clean convenience—the door and stainless bin are removable for easy cleaning

MODEL LSA530 / LSA636 / LSA742

ACCESS DOOR & FULLY ENCLOSED DOUBLE DRAWERS

- Diverse choices—available in 30", 36", and 42" widths
- Beautiful convenience—access door has stainless steel hardware and barrel hinges for full opening
- Smooth transition—double drawers with 23-inch depth and full extension glides
- Confident closure—heavy-duty latches for easy closing

MODEL	DESCRIPTION
LDR418	18" Single Access Door
LDR424	24" Single Access Door
LDR530	30" Double Access Doors
LDR636	36" Double Access Doors
LDR742	42" Double Access Doors
LSA530	30" Access Door & Fully Enclosed Double Drawers
LSA636	36" Access Door & Fully Enclosed Double Drawers
LSA742	42" Access Door & Fully Enclosed Double Drawers
LUD519	19" Enclosed Double Drawers
L18TC	18" Outdoor Trash Center

NOTE: For planning and installation details—including dimensions, specification sheets, CAD drawings, and 3-D renderings—please visit the Product Support section of the Lynx website: www.lynxgrills.com

SEDONA BY LYNX™ 20" OUTDOOR REFRIGERATOR



SEDONA BY LYNX™ REFRIGERATOR

Elegantly crafted to complement your Sedona by Lynx™ grill, this rugged, outdoor-rated refrigerator is built to withstand the elements. It provides ample space to keep chilled refreshments and grilling ingredients close at hand, and shelves that can hold bottles upright or adjust for flat, high-capacity storage.



OPEN VIEW

PRODUCT OVERVIEW

- Tested safety—UL listed for outdoor use
- Helpful illumination—includes interior lighting
- Flawless finish—has a seamless stainless steel cabinet and door
- Perfect lining—interior liner is seamless for clean simplicity
- Adaptable configuration—suitable for built-in or freestanding use
- Optional configuration—convertible to left-open alignment with a kit
- Generous capacity—providing 4.1 cubic feet of space
- Variable storage—3 wire shelves
- Precision cooling—adjustable temperature control
- Easy stability—adjustable leveling legs (leveling feet included)
- Individualized fit—reversible door (kit included)

MODEL	DESCRIPTION
L500REF	20" Outdoor Refrigerator



SEDONA BY LYNX™ SINKS AND DRINK SOLUTIONS

**SEDONA BY LYNX™
SINKS AND DRINK SOLUTIONS**

Outdoor kitchens create experiences, and inspire conversations, that don't happen anywhere else. To keep your attention on the things that matter, you need a simple place for rinsing, filling, or washing without stepping away.



MODEL LSKD18
18" DROP IN DEEP SINK

- Convenient depth—basin is 14.75 by 16.5 by 10 inches, has a 3.5-inch drain with stopper and basket, and accommodates disposal units
- Tailored integration—sized to accommodate Lynx faucet model LFK
- Beautiful coverage—stainless steel cover included



MODEL LFK
GOOSENECK FAUCET

- Flawless finish—solid stainless steel faucet
- Flexible configuration—install for hot/cold or cold-only water
- Expansive arch—the high arch fits large pots and pans
- Elegant simplicity—designed with understated style
- Lasting assurance—outdoor rated with a 10-year warranty
- Long-lasting design—carefully engineered to operate without washers
- Easy functionality—easily operates with a single-lever handle
- Cleansing stream—with an aerator head and a flow rate of 1.8 gallons per minute
- Tested efficiency—compliant with California Energy Commission (CEC) standards



MODEL LDC18
18" DROP-IN COOLER

- Convenient chilling—fully insulated stainless steel cooler with polished highlights
- Consistently cool—heavy-duty refrigerator seal and insulated lid always keeps its contents chilled
- Flexible configuration—removable hinge pins let you use the cooler without the lid
- Ample depth—a 13-inch depth accommodates most wine bottles
- Generous capacity—providing 1.7 cubic feet of space
- Simple stability—the telescoping bracket can hold the lid open
- Optional simplicity—drain in base for attaching hose (hose not included)



MODEL L16TWL-1
OUTDOOR TOWEL DISPENSER

- Subtle convenience—provides an appealing concealed option
- Faultless finishing—heavy-duty welded construction with a Professional style handle
- Quick clean-up—fits a standard roll of paper towels
- Customized access—the door swings up

MODEL	DESCRIPTION
LFK	Gooseneck Faucet
LSKD18	18" Outdoor Drop In Deep Sink
L16TWL-1	16" Outdoor Paper Towel Dispenser
LDC18	18" Drop-In Cooler

NOTE: Must Specify Gas Type – NG for Natural Gas or LP for Propane



SHOWN: A FINISHED RTF ISLAND

SEDONA BY LYNX™ ISLAND SOLUTIONS

Whether you're planning a custom outdoor kitchen installation tailored to your own design, or want the simplicity of a ready-made island package, the built-in models in the Sedona by Lynx™ family are a perfect fit. Choose from a variety of grill sizes, features, and complementary components to configure a custom installation. Or opt for an easily assembled island package offering a choice of grill sizes, side burners, and storage systems.

SEDONA BY LYNX™ ISLAND SOLUTIONS



SHOWN: L2600C - CONTEMPORARY GRAY*

PRODUCT OVERVIEW

- Complete preparation—includes a Sedona Grill, Refrigerator, Side Burner, and doors or storage
- Weather-ready—built with premium outdoor-rated materials
- Technical convenience—two USB charging ports
- Adjustable stability—leveling feet adapt for your placement
- Lasting quality—finished with an acrylic stucco that is waterproof, UV-resistant, and long-lasting (sealed porcelain tile is frost-proof and designed for outdoor durability)
- Firmly framed—welded frame uses 1-inch square galvanized tubing
- Insightful safety—pre-wired GFI protection for the grill and refrigerator connections, with a convenient outlet for the rotisserie motor
- Quick connections—comes ready for gas connections and includes required venting
- Reliable power—runs on 110V electricity
- Simple elegance—beautiful cross-hatch pattern with a 3-inch border and 3-inch vertical lip



Each island includes a pair of Bluetooth® speakers



Each island includes a USB charging port

MODEL	DESCRIPTION
L2600C	Contemporary Gray Deluxe Island Package with 36" Grill with Rotisserie (also includes LSA636, LSB502, L500REF)
L2500C	Contemporary Gray Island Package with 30" Grill with Rotisserie (also includes LSA530, LSB502, L500REF)
L1600C	Contemporary Gray Island Package with 36" Grill (also includes LDR636, LSB501, L500REF)
L1500C	Contemporary Gray Island Package with 30" Grill (also includes LDR530, LSB501, L500REF)
LBTS	Pair of Bluetooth® Speakers

NOTE: Must Specify Gas Type – NG for Natural Gas or LP for Propane



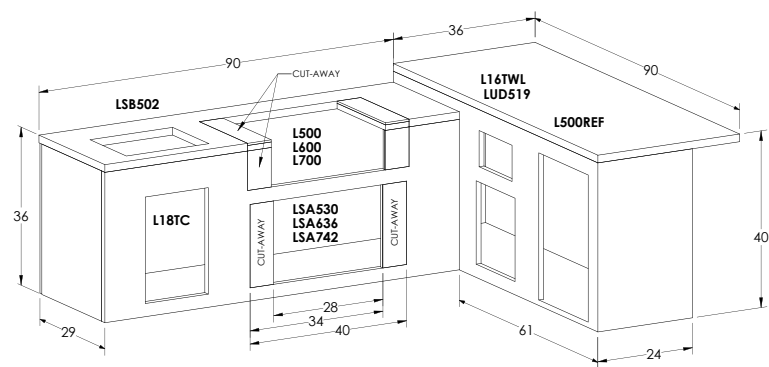
Shown: Ready-To-Finish (RTF)



Shown: Sample Finished Island

AN EASY OUTDOOR KITCHEN SOLUTION

Our Ready To Finish (RTF) Island comes prepared for the 30" L500 grill and door drawer combination. The 36" and 42" grill configurations require a few additional cuts by the homeowner or contractor to remove additional panels for placement of grill and door drawer combination. The islands are ready to finish with a surface that matches your home, making your outdoor kitchen a perfect extension of your architecture.



PROMPT PERFECTION

The ready-to-finish island is designed to assemble in 30 minutes with two to three people.

AFFORDABILITY

The Ready to Finish island or full packages can help create your outdoor kitchen for a third of the cost.

UNMATCHED QUALITY

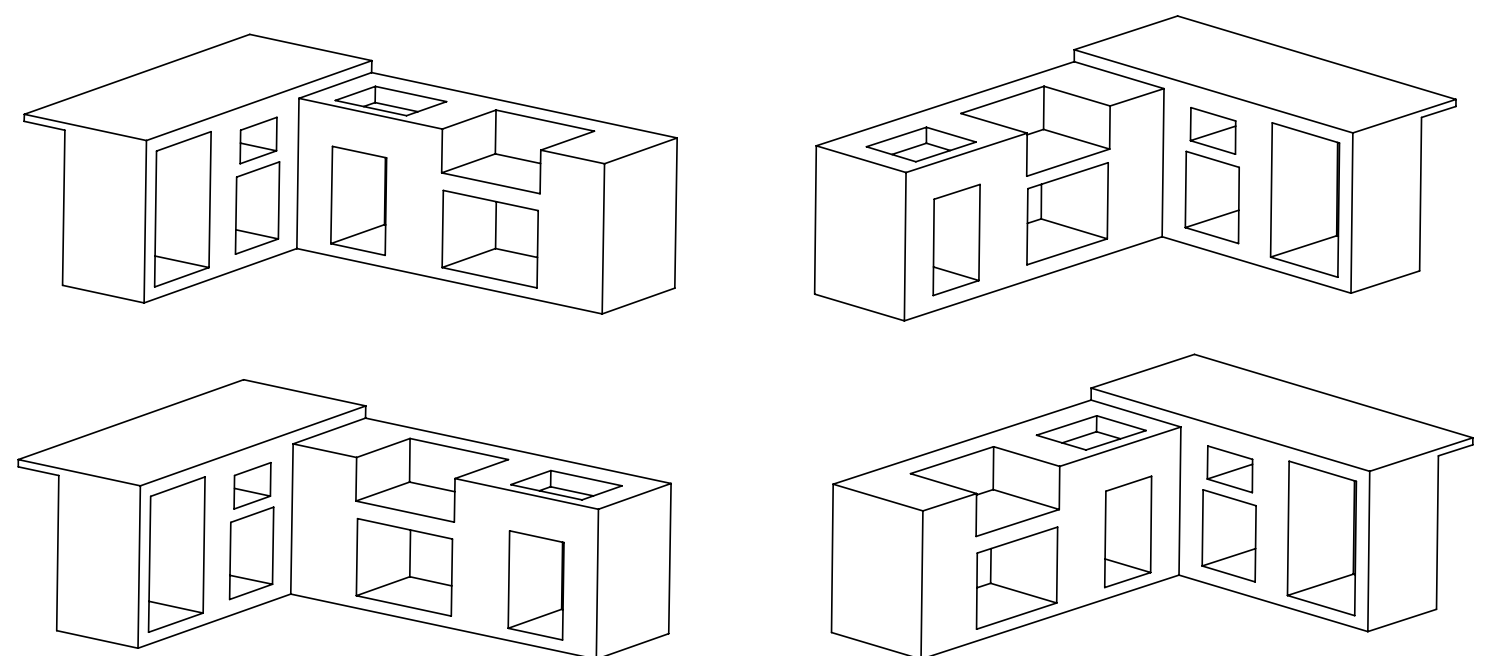
Framing made of galvanized steel and HardieBacker® board with Mold Block Technology. Each island is handcrafted and backed by a limited lifetime warranty by Lynx Grills.

MODEL	DESCRIPTION
RTF	Ready To Finish Island (Shown on left)
L5000	RTF Island: 30" Sedona Grill with Rotisserie (LSA530, LSB502, L16TWL-1, LUD519, L18TC, L500REF)
L6000	RTF Island: 36" Sedona Grill with Rotisserie (LSA636, LSB502, L16TWL-1, LUD519, L18TC, L500REF)
L7000	RTF Island: 42" Sedona Grill with Rotisserie (LSA742, LSB502, L16TWL-1, LUD519, L18TC, L500REF)

NOTE: Must Specify Gas Type – NG for Natural Gas or LP for Propane

CHOOSE YOUR CONFIGURATION

The island is fully reversible, and can be assembled four different ways:





SEDONA BY LYNX™ FIREPITS



SHOWN: READY-TO-FINISH FIREPIT (RTFF)



SHOWN: READY-TO-FINISH FIREPIT – FINISHED (RTFF)



44" CIRCULAR ICE 'N' FIRE PIT (LFPC-C)



44" SQUARE ICE 'N' FIRE PIT WITH ICE BOWL INSERT (LFPS-C)

READY-TO-FINISH FIREPIT

- Comprehensive configuration—includes a control panel, straight burner, and access door
- Lasting durability—framing made of galvanized steel and HardieBacker board
- Cozy capacity—5 feet long overall
- Guaranteed quality—each firepit is handcrafted and backed by a limited lifetime warranty by Lynx Grills
- This firepit is ready to be finished to match your home.

ICE 'N' FIREPIT

Ice 'N' Firepit models come finished in Contemporary Gray. Just trade out the fire bowl for the ice bowl to hold cold refreshments.

- Quick configuration—includes two 30 qt. stainless steel bowls for either ice or fire
- Completely cozy—65,000 BTU nautilus shaped burner
- Simple start—has a T-handle valve and battery push button ignition
- Generous space—tabletop has a 4-foot diameter
- Perfect coverage—includes a protective vinyl cover
- Ready to roll—base sits on heavy-duty casters for easy movement

SEDONA BY LYNX™ FIREPITS

The Lynx Life awaits you all year round. Outdoor firepits or heating solutions help you extend those late-night conversations and early-morning reflections. Savor the crisp Fall and Winter seasons as you host celebrations or take time to contemplate.

MODEL	DESCRIPTION
RTFF	Ready-To-Finish Firepit
LFPC-C	44" Circular, Ice 'N' Fire Pit, Contemporary Gray
LFPS-C	44" Square, Ice 'N' Fire Pit, Contemporary Gray
LFPNGK	Fire Pit LP to NG Conversion Kit



SEDONA BY LYNX™ ACCESSORIES



- MODEL GP**
GRIDDLE PLATE
- Amazing options—cook anything on your grill
 - Generous space—11" x 15" cooking surface
 - Thoughtful design—angled 5° slope front to rear to prevent spillage, and 2" high sides
 - Stable placement—four feet firmly grip grates
 - Quick clean-up—easy-to-clean stainless steel surface



- MODEL RB8**
ROTISSERIE BASKET
- Brilliant versatility—great for vegetables, chicken wings, roasting coffee beans and more
 - Easy addition—compatible with any Lynx or Sedona rotisserie grill
 - Flexible placement—works with both the rear rotisserie burner or standard grilling burners
 - Quick clean-up—easy to clean and dishwasher safe



- MODEL LGRT**
3 PIECE GRILLING TOOL SET
- Ready for action—three-piece tool set with additional basting brush attachment
 - Intuitive design—spatula has a serrated leading edge that allows tool to slide easily under food
 - Secure hold—tongs have a locking mechanism to grip food easily
 - Versatile use—basting brush easily bastes juices onto food; attachment also works with cleaning tool
 - Simple clean-up—cleaning tool helps eliminate baked foods from grates
 - Comfortable grip—large, durable handles with ergonomic design for comfort, efficiency, and ease of use



- MODEL LSTK**
LYNX STEAK KNIFE SET
- Complete preparation—set includes six 5-inch steakhouse-style knives with a beautiful wooden case
 - Magnificent quality—crafted from German stainless steel delivers perfect performance
 - Elegant finish—polished black and stainless steel handles

SEDONA BY LYNX™ ACCESSORIES

Perfect pairing is an art. And like the elements of an artfully orchestrated meal, our accessories form an elegant compliment to your Lynx outdoor kitchen.

MODEL	DESCRIPTION
GP	Griddle Plate
RB8	Rotisserie Basket
LGRT	3 Piece Grilling Tool Set
LSTK	Lynx Steak Knife Set

SEDONA BY LYNX™ SPECIFICATIONS & INSTALLATION

The guides, measurements, and dimensions detailed below are designated to assist you with planning your outdoor kitchen. **NOTE:** Due to continuing product innovation, specifications are subject to change without notice. All measurements are in inches. **IMPORTANT:** Please reference the Care & Use / Installation manual for details on gas plumbing requirements, electrical specifications, and the proper installation of your Lynx outdoor kitchen equipment. This manual can be downloaded from the Lynx website at www.lynxgrills.com

THE SEDONA BY LYNX™ COLLECTION

BUILT-IN GRILL

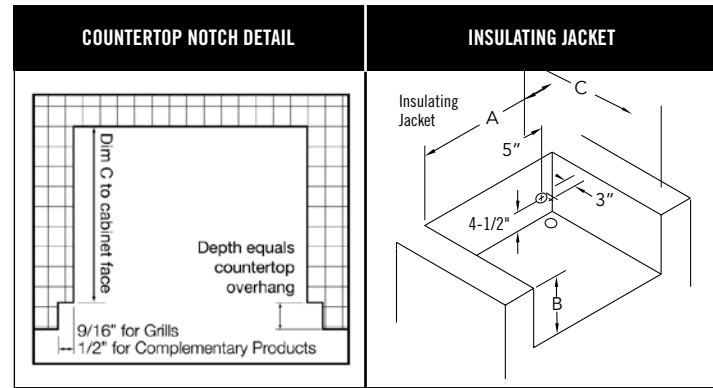
Model	A	B	C
L500	29"	10"	21 ¼"
L600	35"	10"	21 ¼"
L700	41"	10"	21 ¼"

COMPLEMENTARY PRODUCTS

Model	A	B	C
LSB501*	11"	4"	16"
LSB502*	21"	4"	16"
LDR418	15 5/8"	19"	—
LDR424	22"	19"	—
LDR530	28 ¼"	19"	—
LDR636	33 ¾"	19"	—
LDR742	39 ¾"	19"	—
LSA530	28 ¼"	19"	20"
LSA636	33 ¾"	19"	20"
LSA742	39 ¾"	19"	20"
LUD519	17 ¼"	19"	20"
L500REF	21 ½"	34"	24 ½"
L16TWL-1	14 ½"	8 ¼"	8"
L18TC	16"	24 ¼"	13"
LSDK18	15"	10 ½"	21"
LDC18	18 ¼"	13"	18 ¼"

BUILT-IN GRILL WITH INSULATING JACKET

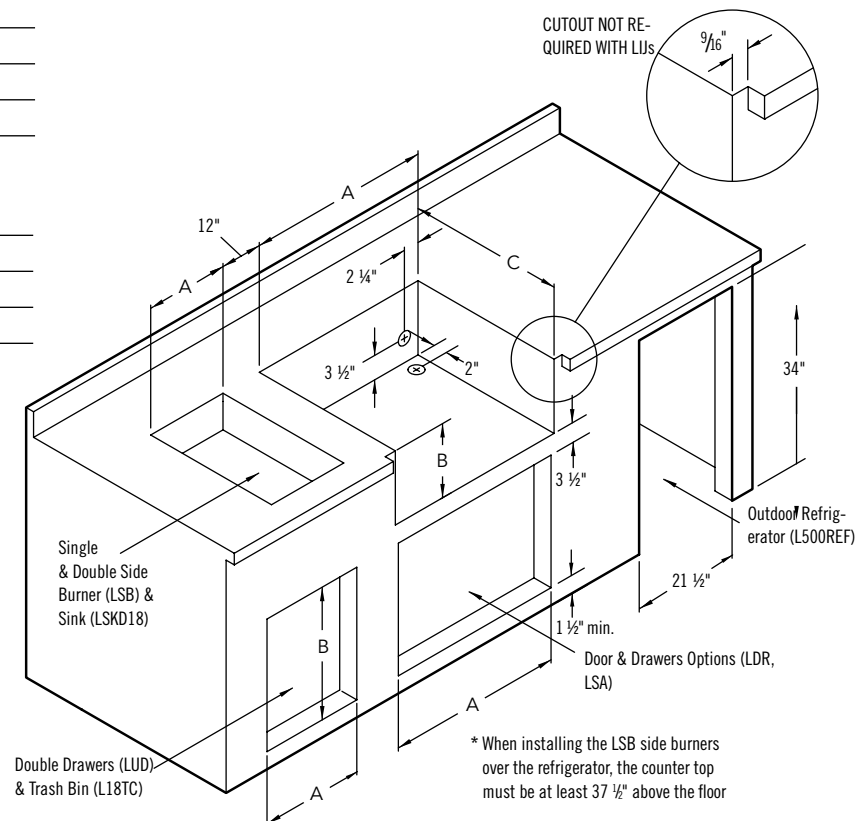
Model	A	B	C
LIJ500	36"	11 5/8"	23 ¼"
LIJ600	42"	11 5/8"	23 ¼"
LIJ700	48"	11 5/8"	23 ¼"



Note: Insulating jacket required for all grills installed into a combustible enclosure

Note: For natural gas grills, Lynx recommends using 3/4" gas lines

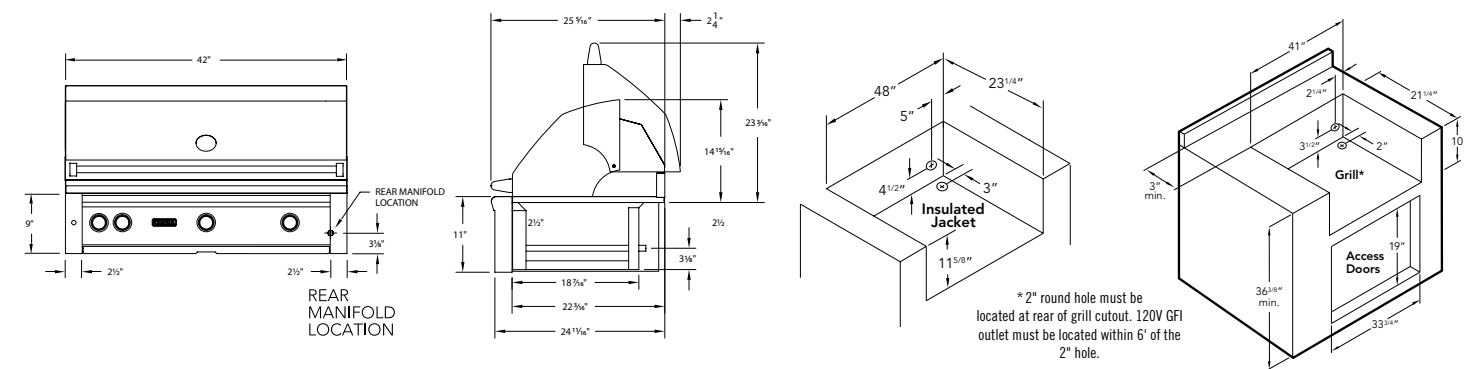
Note: Side burners may be rotated 90 degrees. See installation manuals for details.



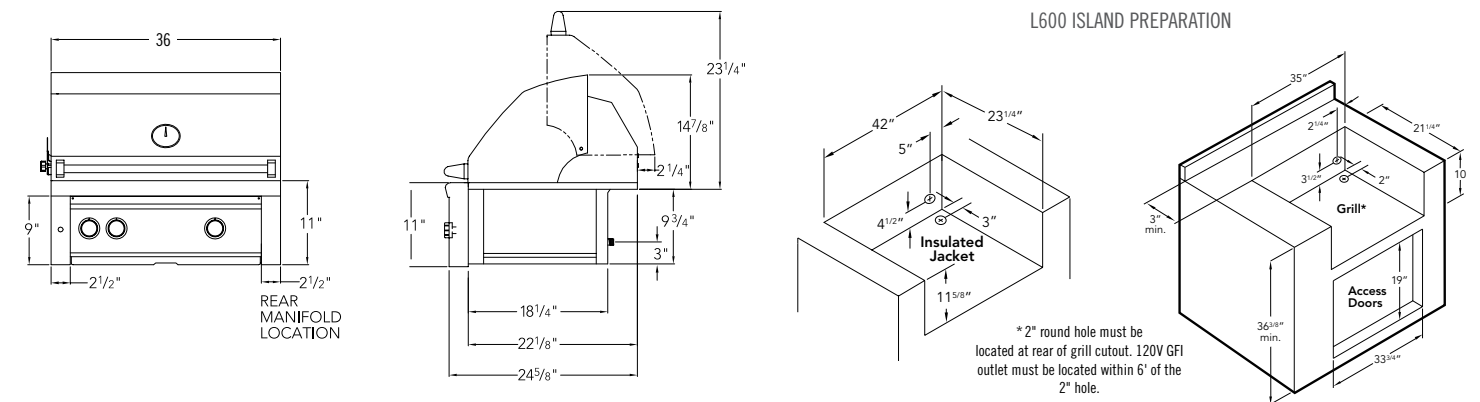
* When installing the LSB side burners over the refrigerator, the counter top must be at least 37 ½" above the floor

SEDONA BY LYNX™ SPECIFICATIONS & INSTALLATION

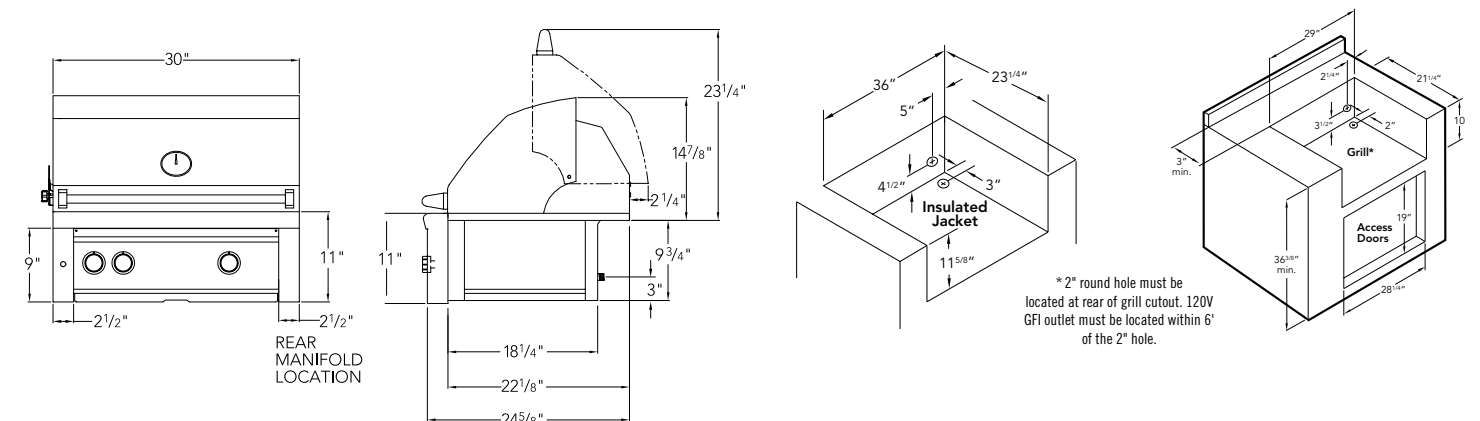
42" GRILL DIMENSIONS & ISLAND PREPARATION



36" GRILL DIMENSIONS & ISLAND PREPARATION

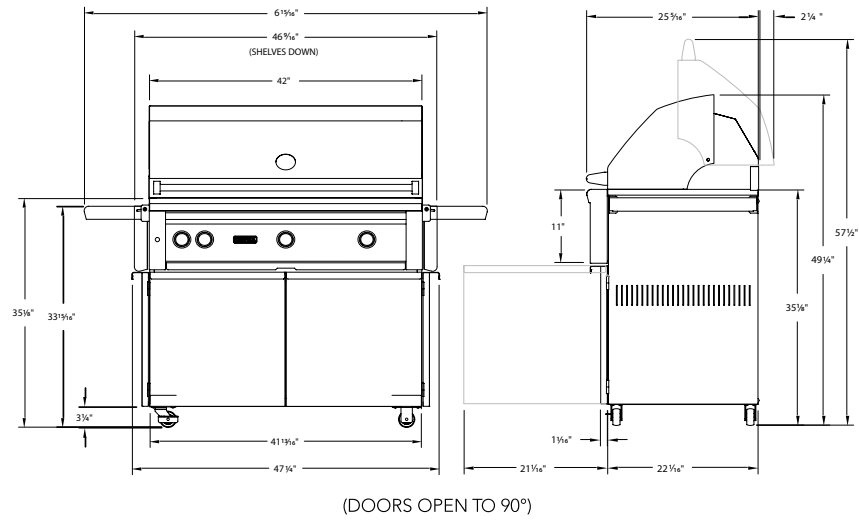


30" GRILL DIMENSIONS & ISLAND PREPARATION

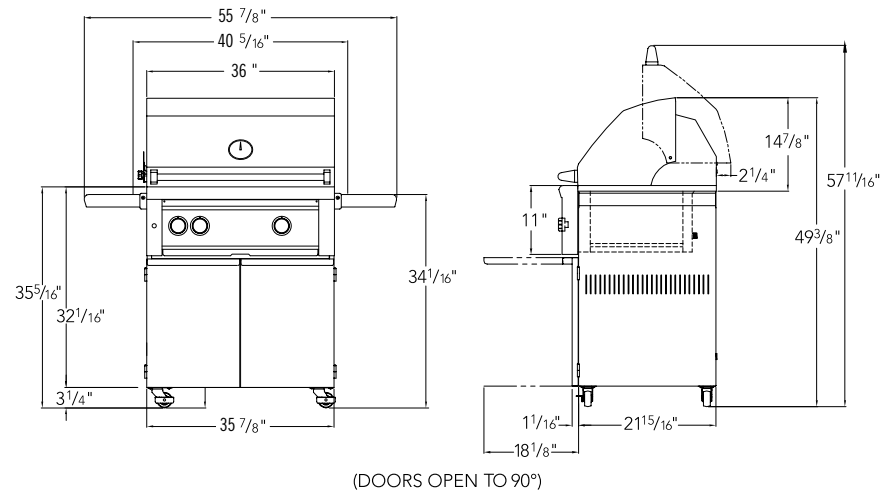


SEDONA BY LYNX™ SPECIFICATIONS & INSTALLATION

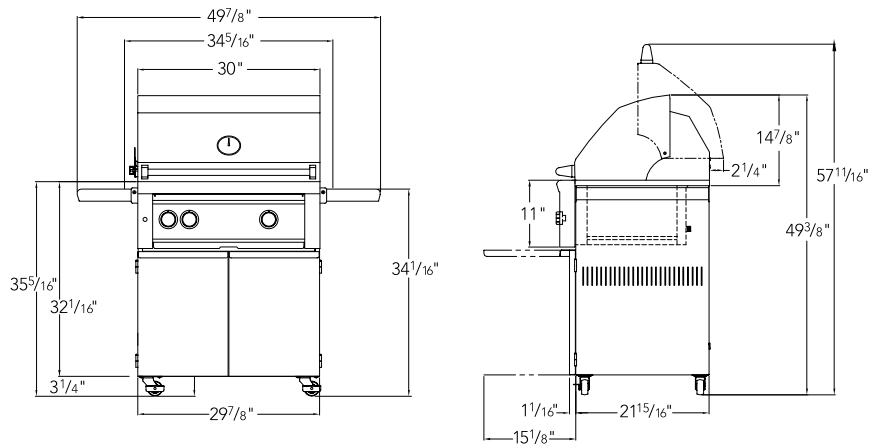
42" FREESTANDING GRILL DIMENSIONS



36" FREESTANDING GRILL DIMENSIONS

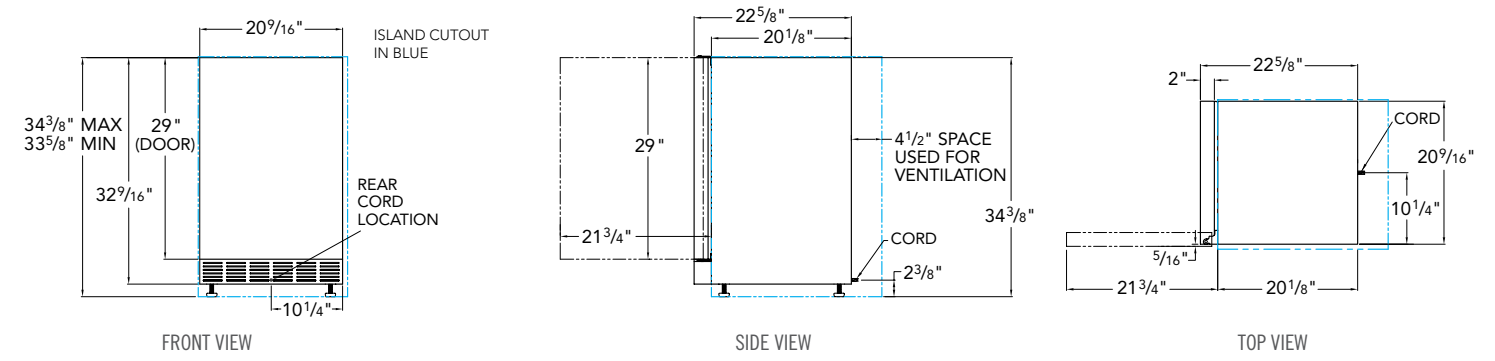


30" FREESTANDING GRILL DIMENSIONS



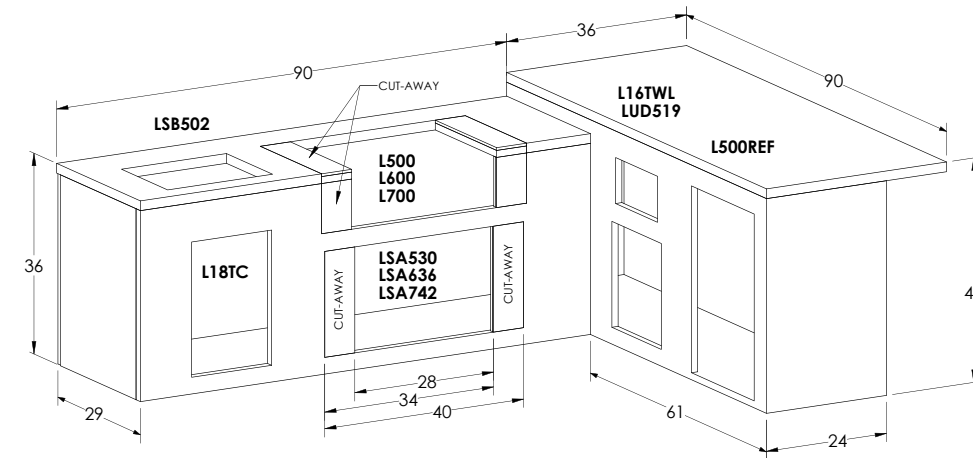
SEDONA BY LYNX™ SPECIFICATIONS & INSTALLATION

SEDONA BY LYNX™ 20" OUTDOOR REFRIGERATOR

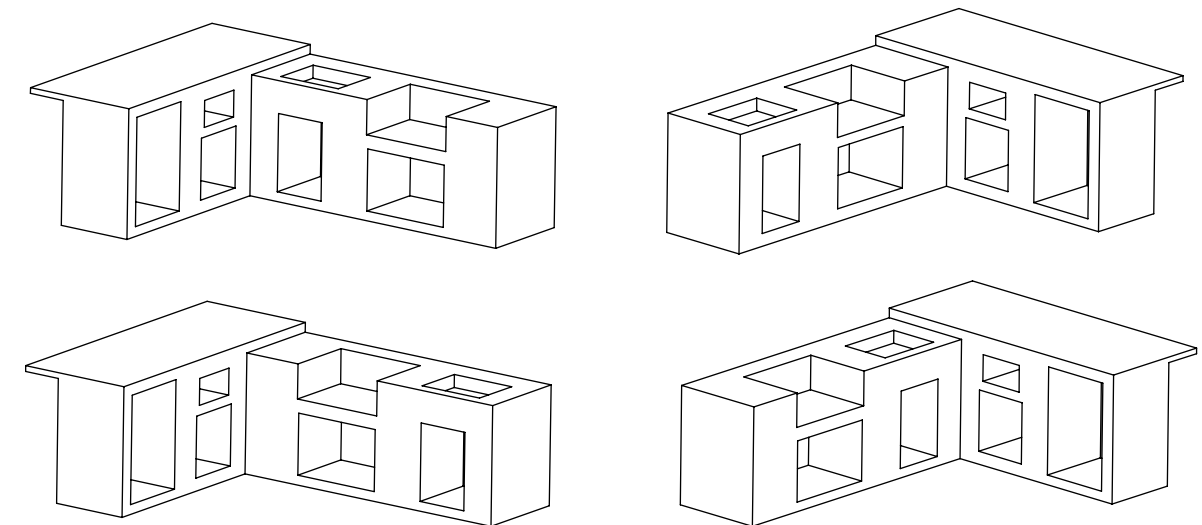


NOTE: For this illustration refrigerator has been set at a maximum height of 34 3/8"

SEDONA BY LYNX™ READY TO FINISH ISLAND (L500, L600, L700)



Island can be assembled 4 different ways as shown in the diagrams. Island is fully reversible. Configurations shown here:



SEDONA BY LYNX™ LIMITED WARRANTY

I. LIMITED LIFETIME WARRANTY

The stainless steel grill body, stainless steel grill burners, cooking grates, ProSear burner and rotisserie infrared burner are warranted to be free from defects in material and workmanship when subjected to normal domestic use and maintenance for the lifetime of the original purchaser. This warranty excludes surface corrosion, scratches, and discoloration which may occur during normal use. This warranty is limited to the replacement of the defective parts, with the owner paying a processing fee and all other costs including labor. Failure to perform required maintenance will void this warranty.

II. LIMITED FIVE-YEAR WARRANTY

The following grill parts are warranted to be free from defects in material and workmanship, when subjected to normal domestic use and maintenance, for a period of five (5) years from the original date of purchase; warming racks, spit rods, briquette trays, manifolds and gas valves. This warranty is limited to the replacement of the defective parts, with the owner paying a processing fee and all other costs including labor.

III. LIMITED TWO-YEAR WARRANTY

All other grill components are warranted to be free from defects in material and workmanship, when subjected to normal domestic use and maintenance, for a period of two (2) years from the original date of purchase. This warranty is limited to the replacement of the defective parts, with the consumer paying all labor costs.

IV. LIMITED ONE-YEAR WARRANTY

For a period of one (1) year from the original date of purchase, Lynx will replace or repair parts found to be defective at no cost to the original purchaser. This includes the cost of shipping replacement parts and, where necessary, service labor at prevailing local rates by a Lynx authorized service person. Service will be provided during normal business hours and must be authorized in advance by Lynx.

V. LIMITATIONS & EXCLUSIONS

- 1) This Warranty shall apply to products purchased and located in the United States and Canada. Products must be purchased in the country where service is requested.
- 2) Warranty applies only to the original purchaser and may not be transferred.
- 3) Warranty is in lieu of all other warranties expressed or implied and all other obligations or liabilities related to the sale or use of Lynx products.
- 4) Warranty shall not apply and Lynx is not responsible for damage resulting from misuse, abuse, failure to provide reasonable and necessary required maintenance, natural disaster, animals, alteration of or tampering with the appliance, accident, hostile environment, flare-up fires, improper installation or operation, or an installation not in accordance with the instructions contained in this manual, or the local codes.

- 5) Lynx shall not be liable for incidental, consequential, special or contingent damages resulting from its breach of this written warranty or any implied warranty.
- 6) Some states do not allow limitations on how long an implied warranty lasts, or the exclusions of or limitations on consequential damages. This warranty gives you specific legal rights and you may have other rights which vary from state to state.
- 7) No one has the authority to add to or vary Lynx's warranty, or to create for Lynx any other obligation or liability in connection with the sale or use of its products.
- 8) Limited to the replacement of defective parts with the owner paying all other costs including labor.

VI. WHAT IS NOT COVERED: LYNX SHALL NOT BE RESPONSIBLE FOR AND SHALL NOT PAY FOR THE FOLLOWING

- 1) Installation or start-up, damages or problems caused by improper installation or use.
- 2) Service by an unauthorized service provider.
- 3) Damage or repair due to service by an unauthorized service provider or use of unauthorized parts.
- 4) Warranty does not apply to products installed in any commercial or non-residential application. Examples of excluded applications include, but are not limited to day care centers, schools, bed and breakfast centers, churches, private clubs, fire stations, club houses, common areas in multi-family dwellings, restaurants, hotels, nursing homes, food service locations and institutional food service locations. *Contact Lynx for Common Area Warranty.
- 5) To correct normal adjustments or settings, due to improper installation, commissioning or local gas supply properties.
- 6) Shipping and handling costs, export duties, installation, removal, or re-installation cost (RMA excluded).
- 7) Display models are sold "as is". If you have purchased a display model, please be advised that it is sold "as is" and that it is subject to the following warranty exclusions: any exterior or cosmetic damage is nonwarrantable; any missing components will be replaced at consumers expense; major handling damage to manifold, valve and ignition system will be serviced at consumer's expense; all other warranties will remain in effect.
- 8) The cost of a service call to diagnose complaint.
- 9) Modification to Lynx product will void related warranties.

* Please refer to Accessory Care & Use for respective warranties.

CONNECT WITH THE LYNX LIFE



THERE'S SO MUCH MORE LYNX LIFE ONLINE!

Visit [lynxgrills.com](https://www.lynxgrills.com) and check out our complimentary design service, full library of product information and documents, videos, and photos

PRODUCT REGISTRATION ONLINE

Go to <https://www.lynxgrills.com/customer-care/product-registration> to register your new Lynx grill warranty. The information you provide will not be shared with third parties or individuals without your consent.

HOW TO OBTAIN SERVICE FROM LYNX

Before calling for service, please make sure you have the following information:

- Model Number
- Date of Purchase
- Proof of Purchase by the original owner
- Serial Number

Serial number can be located on the rating plate, which is located either on the underside of the drip tray or on the heat shield behind the front panel

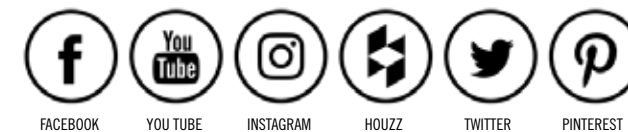
For warranty service, contact the Lynx Customer Service Department for an authorized service agent near you at: 888.289.5969 or service@lynxgrills.com

Your satisfaction is of the utmost importance to us. If a problem cannot be resolved to your satisfaction, please write, fax, or email us:

Lynx Grills, Inc.
7300 Flores Street, Downey, CA 90242
Tel: 888-289-5969 • Fax: 562-299-6978
www.lynxgrills.com

Contact Lynx for replacement parts. Parts are shipped F.O.B. Downey, CA

CONNECT WITH LYNX ON





FOR MORE INFORMATION, PLEASE CALL 1.888.289.5969 OR VISIT WWW.LYNXGRILLS.COM
PROUDLY HANDCRAFTED AND MANUFACTURED IN THE USA

LYNX GRILLS, INC.
7300 FLORES STREET DOWNEY, CA 90242 P/N 36517 12/17/2018 ©LYNX GRILLS, INC.