



# Installation Instructions Accessory Electrical Connections

## Lynx Electrical Connections

### Introduction:

These instructions detail the electrical connections between 2010-Present Lynx Grills and Accessories, 2005-2009 Lynx Grills and Accessories, and Sedona Grills with Lynx Professional Accessories (side burners, and lighted storage).

If your grill and accessory require an extension, are connecting two professional products (2005-2009 to a 2010-present) or you are using a Lynx accessory without a grill, please see the "Lynx Electrical Kits" section on page 5.

### Precautions while working on electrical connections:

Read and understand the instruction manuals provided with both the grill and accessory being installed. Review these instructions in their entirety before beginning.

*TURN OFF ALL GAS AT IT'S SOURCE* to the appliances *BEFORE* beginning any electrical work. When working on an island installation, open any doors or drawers and allow the space to ventilate before beginning any work. Unplug the transformer from it's receptacle under the island.

On the following page are the steps required to connect the Grills to the accessories. The connections are designed to provide power for ignition on burners and allow the lights to operate in conjunction with the grill. After the electrical connections are completed the installation should be checked before turning the gas back on.

To check the proper installation perform the following test:

Plug the transformer back into the receptacle.

Push in the gas control knob on the burner accessory. The igniter should burn bright and steady.

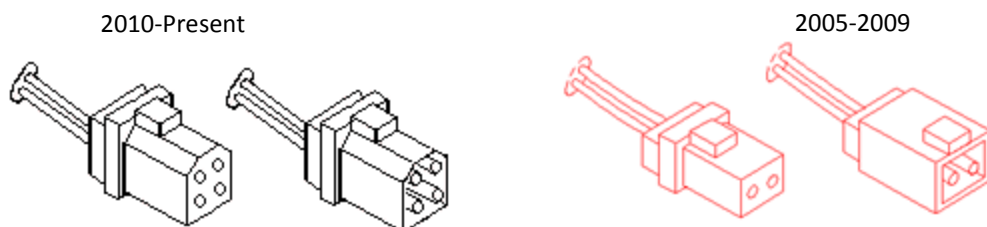
Turn the gas on to all appliances. Check them all for proper ignition.

Note: Using the light switch on the grill turn the lights on and off. Both the grill and the burner accessory lights should operate together. This indicates a proper assembly.

For the 2009 accessories, if the lights stay on and the switch does not turn them off, the connection to the grill is improper.

Inspect the connection of the plug from the accessory. It should be attached to a connector with two white wires labeled **TO ACCESSORY**. Adjust if necessary until the lights operate properly.

### Connector identification:



**4 pin PLUG 4 Position RECEPTACLE 2 pin PLUG 2 pin RECEPTACLE**

Number of pins used varies

## Identifying the model year.

All gas burning grills and accessories have a unique serial number to identify each product. The serial number contains two numbers followed by two letters followed by 5 or more additional numbers.

For all 2005 and later model years, the first letter (third character) will be the year designation:

2005	F/G	2010	L
2006	H	2011	M
2007	J	2012	N
2008	K	2013	N
2009	K	2014-	Q
		Present	

Example

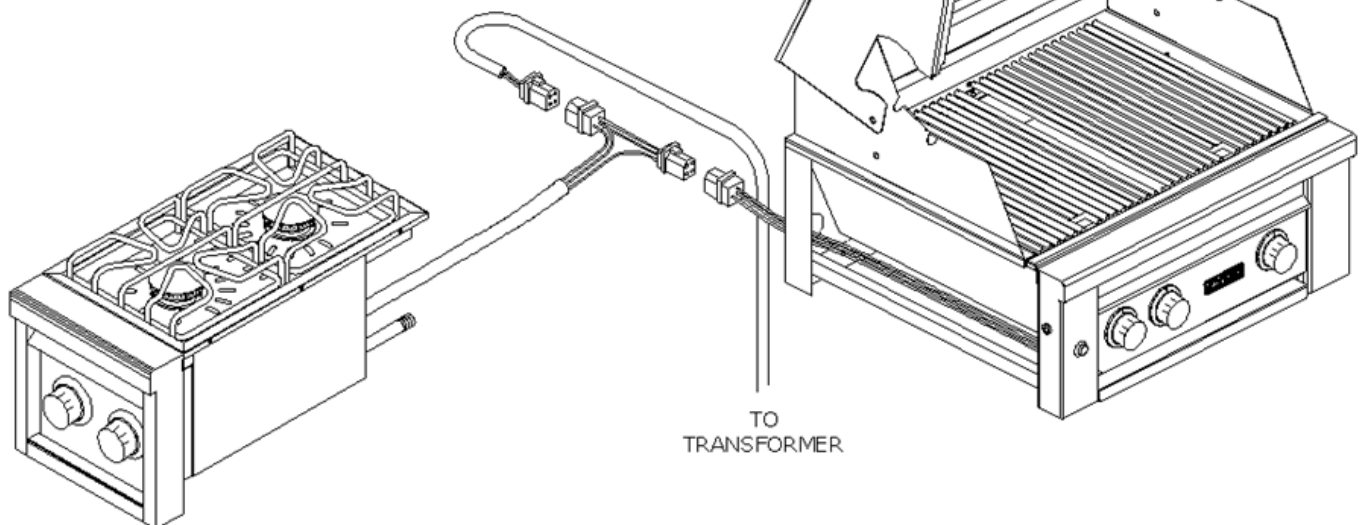
S/N: 96KL91016-0434

### Lynx Model Year 2010-Present:

In model year 2010 Lynx Professional Grills changed the electrical input to it's grills from a dual lead transformer system to a single line input. The change streamlined the installation process and simplified the connection of accessories. This system also eliminated the battery backup system and the associated complexities.

Model Year  
2010-Present

Lynx Grill

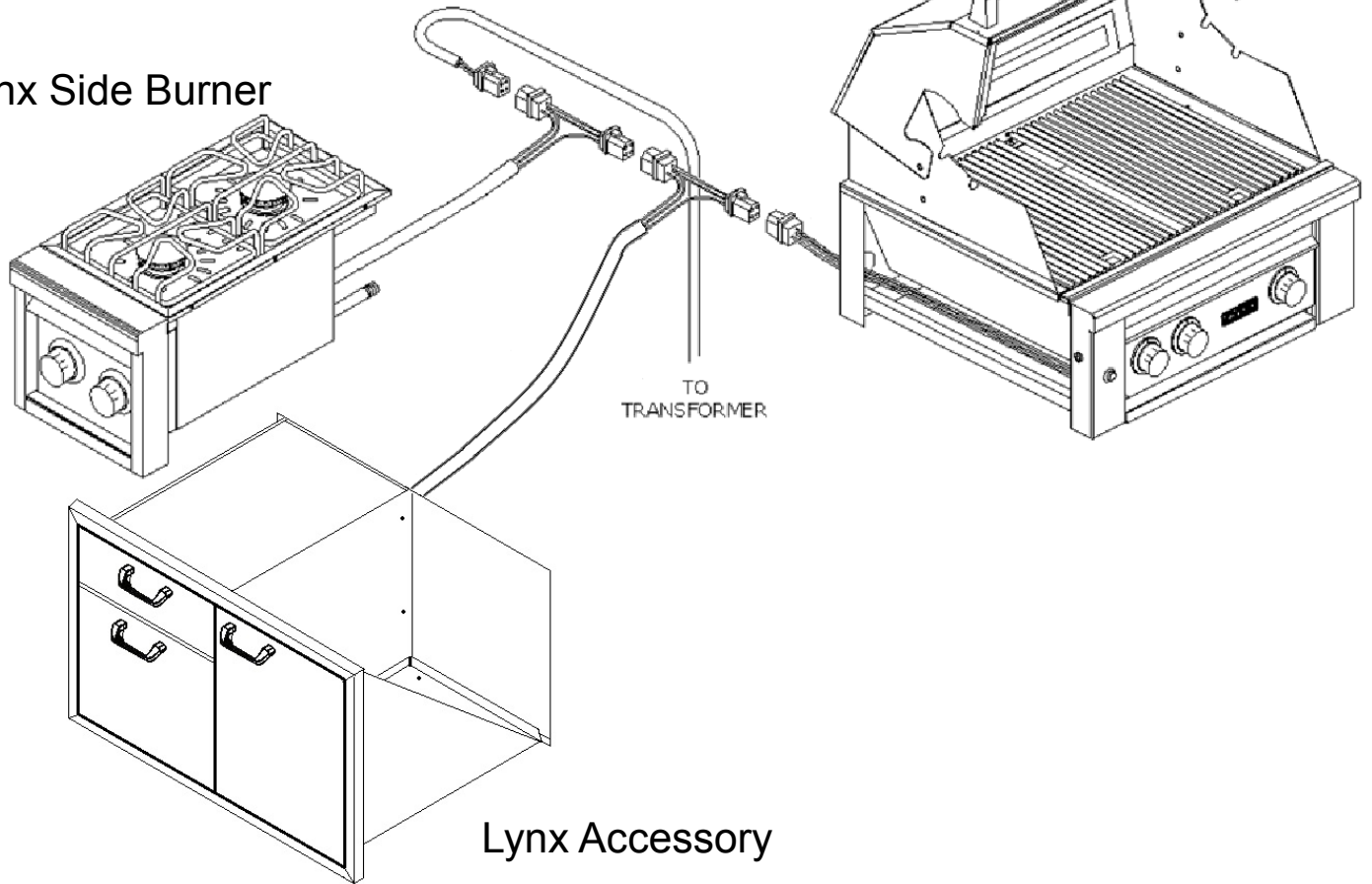


Lynx Side Burner

Model Year  
2010-Present

Lynx Grill

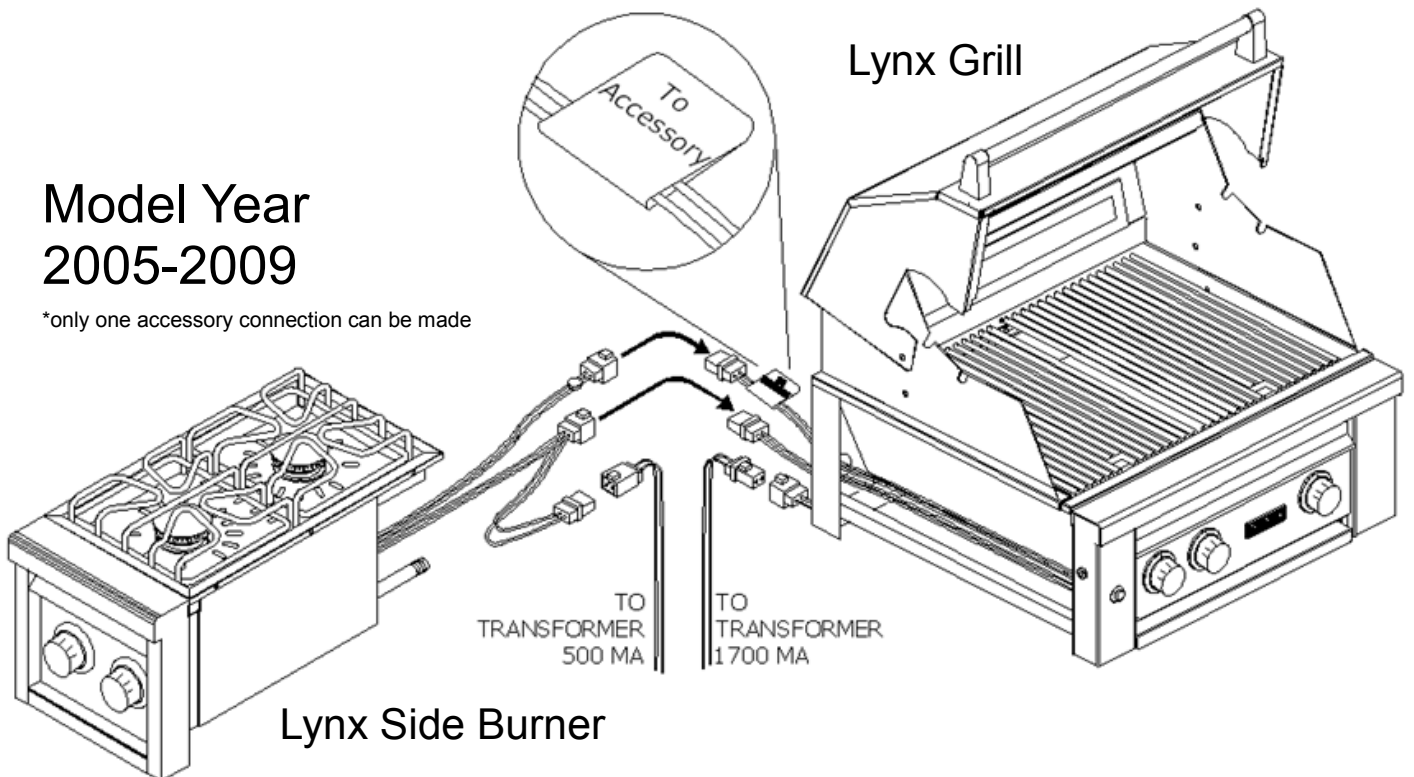
Lynx Side Burner



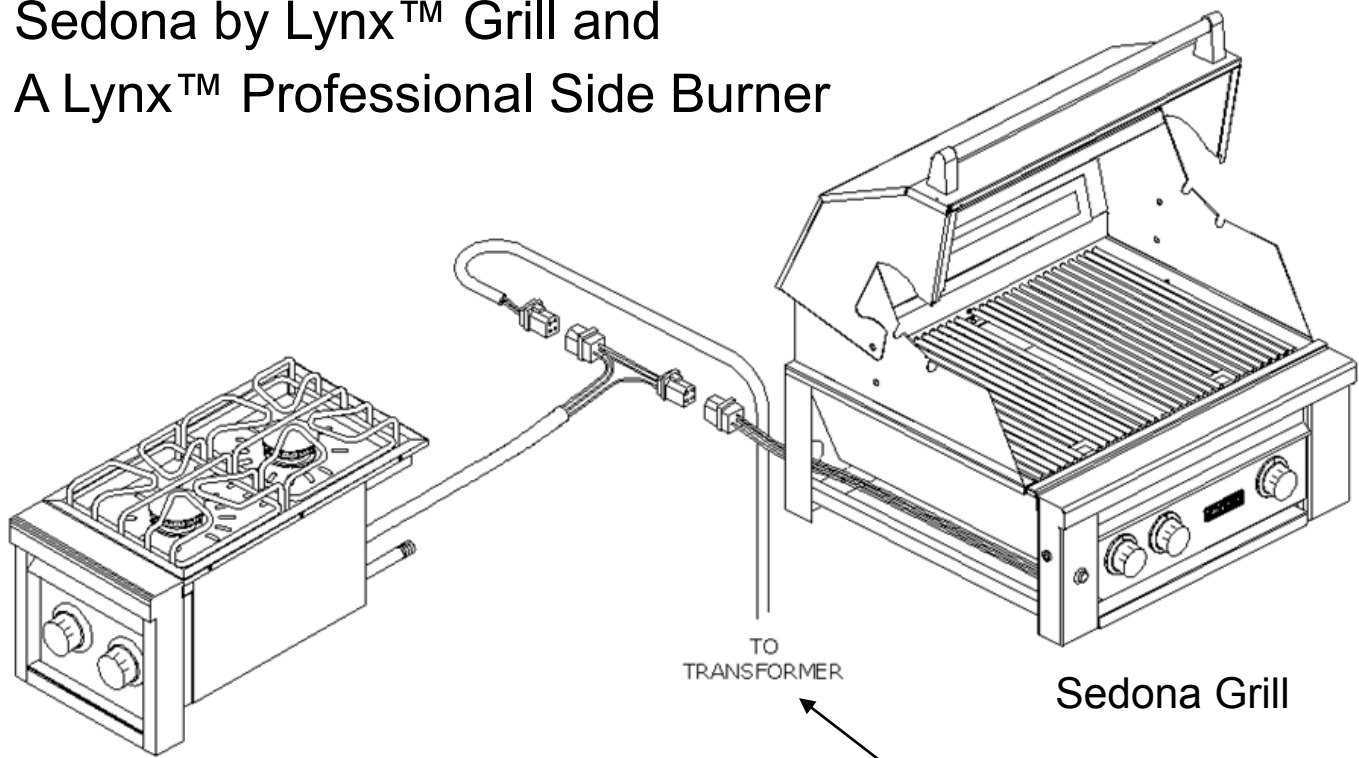
Model Year  
2005-2009

\*only one accessory connection can be made

Lynx Grill



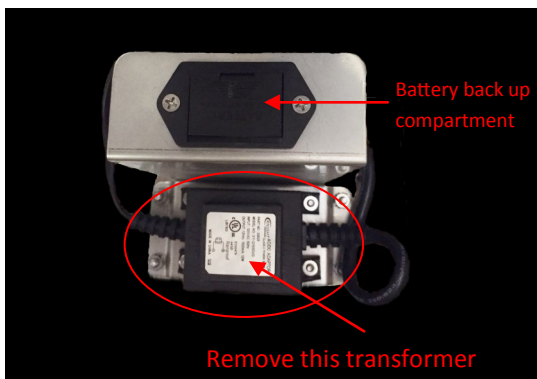
# Sedona by Lynx™ Grill and A Lynx™ Professional Side Burner



Must Purchase Lynx Professional  
12VDC Transformer Part # 33100

You will need to remove the Sedona transformer, but will want to keep the bracket attached. The bracket houses the battery backup compartment.

Sedona Stock Transformer



12VDC Professional Transformer #33100



If using a Lynx Professional Grill with a Sedona side burner, no change is needed. The professional transformer is included with the Lynx Professional Grill.

# Lynx Electrical Kits

These instructions pertain to the following Electrical Accessory Kits:

LASK	Lynx Accessory Switch Kit	Switch and Transformer to operate an Accessory independently.
LPEK	Lynx Power Extension Kit	12 foot extension cord between a Lynx Grill and Lynx Accessory.
LAK	Lynx Electrical Adapter Kit	Connector sets to connect a 2010 Lynx Grill to an earlier Lynx Grill as well as an earlier Lynx Grill to a 2010 Accessory.

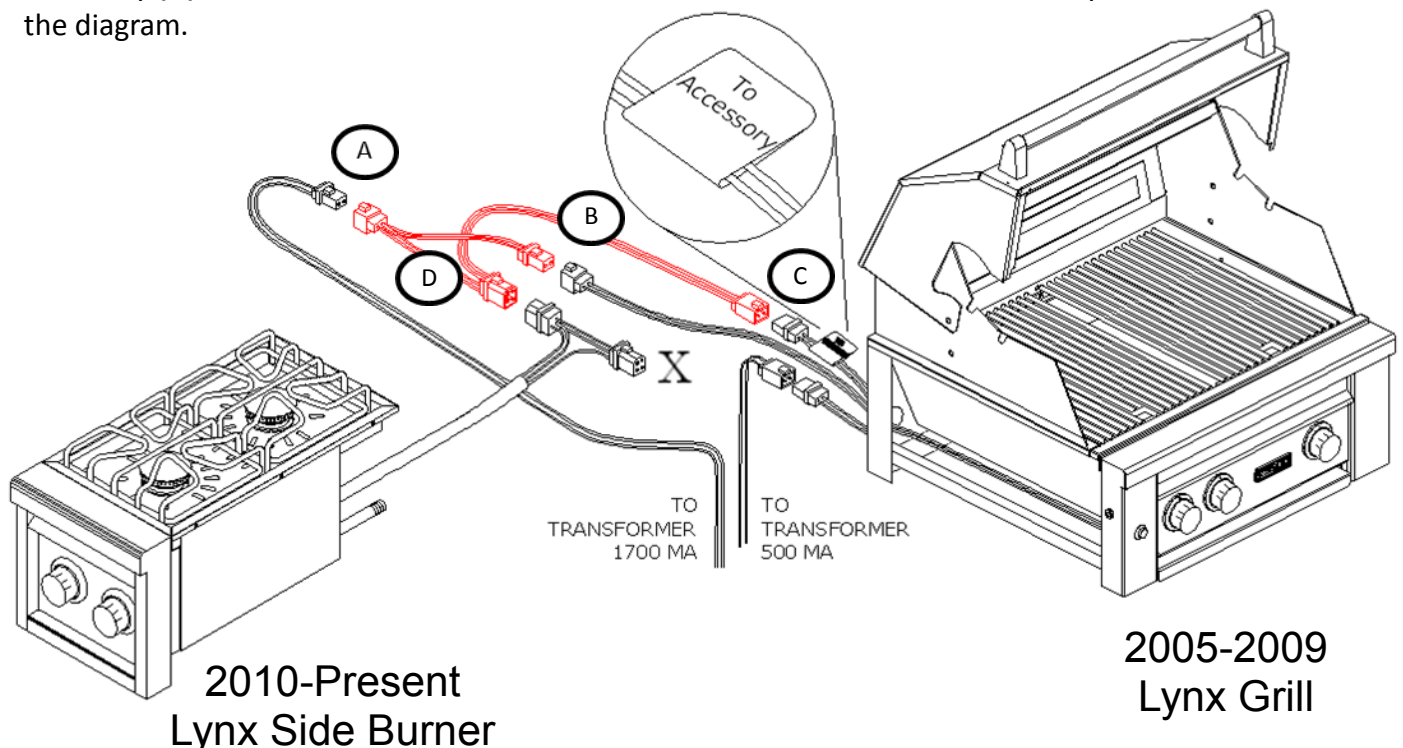
## Lynx Electrical Adapter Kit: Model LAK

The Electrical Adapter Kit is designed to adapt the wiring connections between a model year 2010 Lynx grill or accessory with a previous model year.

Each kit contains two wire assemblies. Only one wire assembly will be used depending on the units being installed.

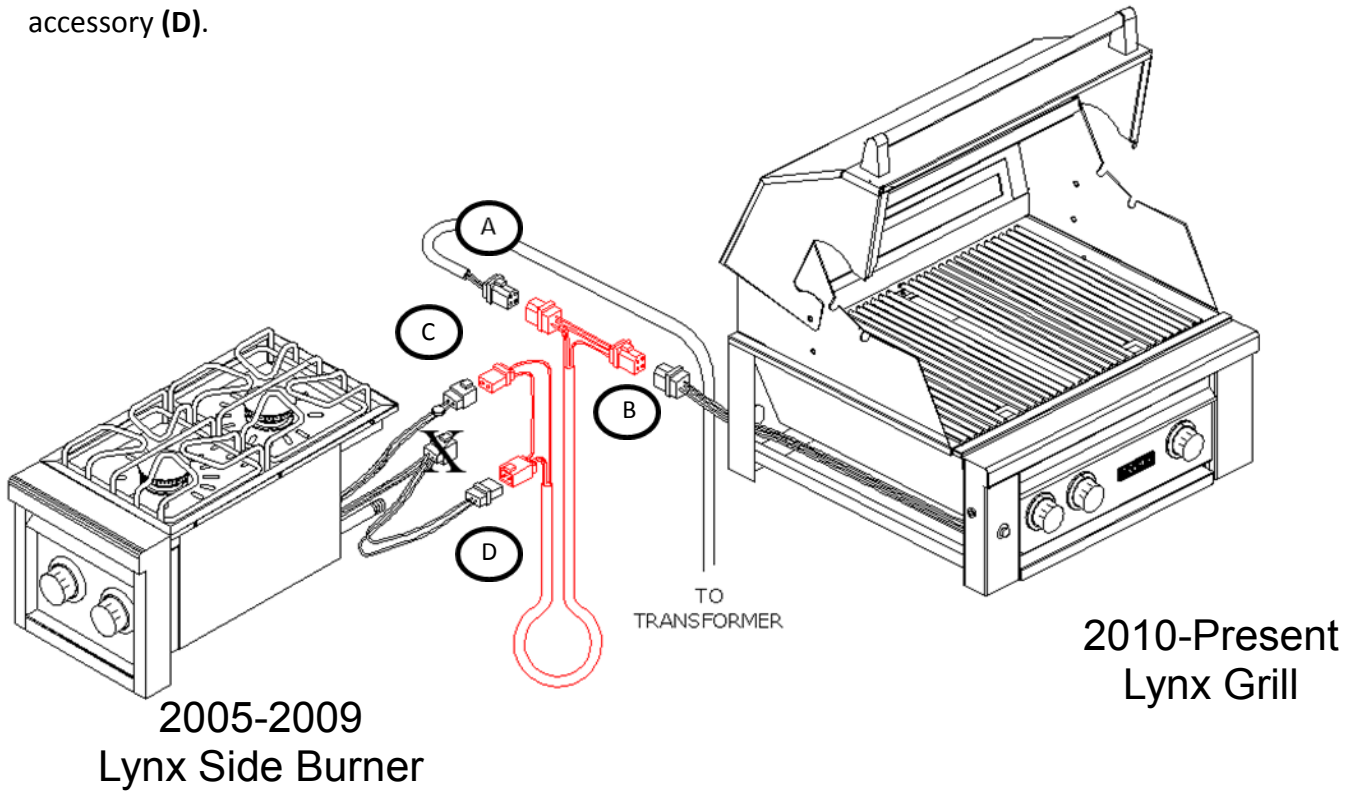
### LAK Installation - 2010 Accessory to a prior model year Grill:

1. Disconnect the transformer lead labeled 1700mA. *DO NOT disconnect the lead labeled 500mA.*
2. Attach the 1700mA plug to the 2 pin receptacle shown as **(A)** in the diagram. Note that this receptacle has 4 wire leads attached to the back side. *DO NOT* confuse this with the receptacle shown as **(C)**.
3. Attach the receptacle from the grill that was attached to the transformer into the plug shown as **(B)** in the diagram.
4. Locate the plug on the back right side of the Grill that is labeled **TO ACCESSORY**. Make the connection to the receptacle shown as **(C)** in the diagram.
5. The last connection is the 4 pin plug on the adapter to the 4 pin receptacle on the wire lead from the accessory **(D)**. There will be one unused connector from the 2010 model accessory shown as "X" in the diagram.



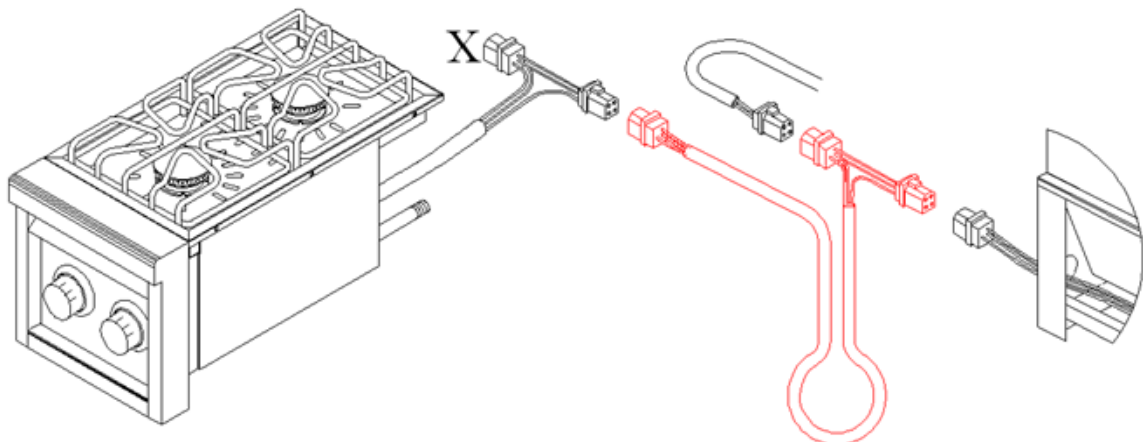
**LAK Installation - 2010 Grill to a prior model year Accessory:**

1. Disconnect the transformer lead From the Grill.
2. Attach the adapter wire assembly to the transformer and grill shown as **(A)** and **(B)** in the diagram.
3. Locate the receptacle on the back right side of the accessory that has two simple leads. Make the connection to the plug shown as **(C)** in the diagram. **DO NOT** confuse this with the receptacle shown as "X" in the diagram. The connector with 4 wire leads will not be used.
4. The last connection is the receptacle on the adapter to the 2 pin plug on the wire lead from the accessory **(D)**.



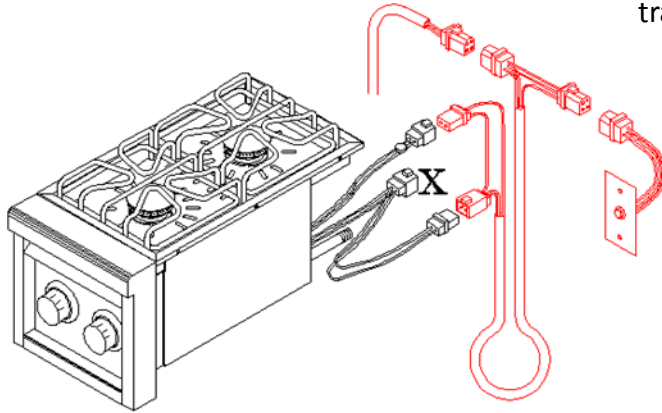
**Lynx Power Extension Kit: Model LPEK**

The Lynx Extension Kit provides 12 feet of additional wire between the Lynx Grill and Gas accessory.

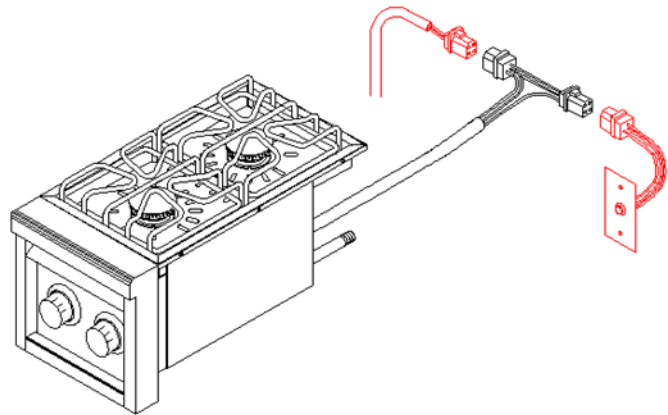


## Lynx Accessory Switch Kit: Model LASK

The Lynx Accessory Switch Kit is designed to power a Lynx Accessory burner directly without a connection to the grill. The kit contains a transformer and mounting bracket as well as a switch assembly with a mounting plate. The kit also contains a wire harness to adapt a 2009 series accessory to the switch and transformer.



2005-2009  
Lynx Side Burner



2010-Present  
Lynx Side Burner