



LYNX PROFESSIONAL OUTDOOR KITCHEN REFRIGERATION

15" REFRIGERATOR

(LN15REF)



PRODUCT OVERVIEW



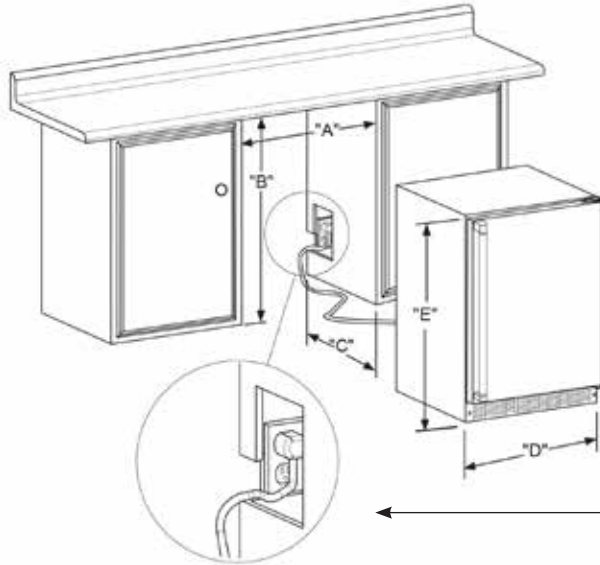
- Plentiful room—2.73 cubic feet of space
- Responsive performance—dynamic cooling technology allows real-time temperature control
- Striking effect—blue interior lighting
- Flexible configuration—two fully adjustable stainless steel shelves
- Simple security—the door locks for safety
- Customized range—temperature range of 34°–42°F
- Individualized fit—can be ordered right or left hinge
- Tested safety—UL listed for outdoor use
- Proven efficiency—Energy Star rated



FOR A COMPLIMENTARY CUSTOM DESIGN FOR YOUR OUTDOOR KITCHEN, VISIT LYNXGRILLS.COM/DESIGN-CENTER

PRODUCT DIMENSIONS

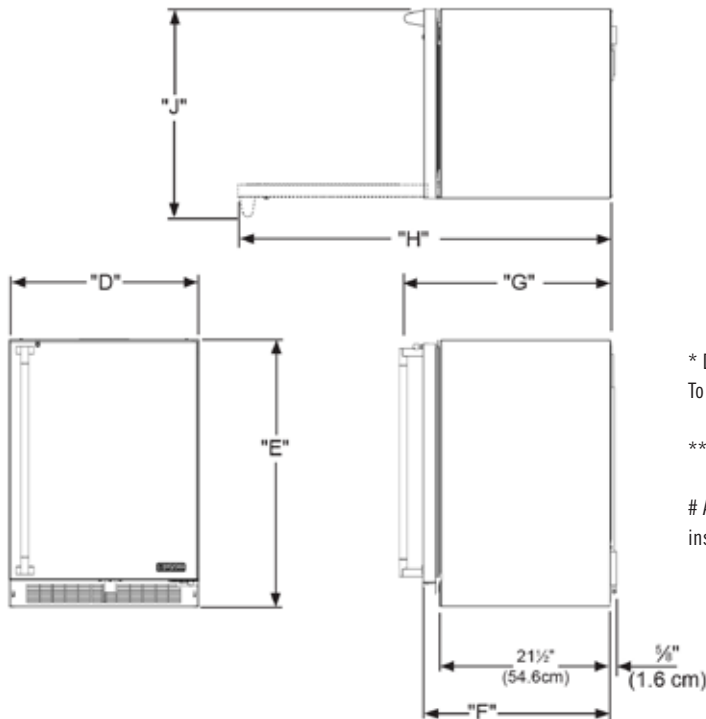
MODEL	ROUGH-IN OPENING DIMENSIONS			CABINET DIMENSIONS					
	"A"	"B"	"C"	"D"	"E"	"F"	"G"	"H"	"J"
LN15REF	15" (38.1 cm)	**34" to 35" (86.4 to 88.9 cm)	*	14 ⁷ / ₈ " (37.8 cm)	33 ³ / ₄ " to 34 ³ / ₄ " (85.7 to 88.3 cm)	23 ²³ / ₃₂ " (60.2 cm)	26 ³ / ₄ " (67.9 cm)	37 ¹³ / ₃₂ " (95 cm)	17 ³ / ₄ " (45.1 cm)



If necessary to gain clearance inside the rough-in opening a hole can be cut through the adjacent cabinet and the power cord routed through this hole to a power outlet. Another way to increase the available opening depth is to recess the power outlet into the rear wall to gain the thickness of the power cord plug. Not all recessed outlet boxes will work for this application as they are too narrow, but a recessed outlet box equivalent to Arlington #DVFR1W is recommended for this application, (see below).



SHOWN: DVFR1W



* Depth dimension of rough-in opening may vary depending on each individual installation. To recess entire door "F" dimension plus 1" (2.5 cm) for thickness of power cord plug.

** Minimum rough-in opening required is to be larger than the adjusted height of the cabinet.

A grounded 15 amp dedicated circuit is required. Follow all local building codes when installing electrical and appliance.