



MOM FRIENDLY. DAD READY.™



*Donatella Arpaia - Iron Chef Judge and Restaurateur*

2016





## MOM FRIENDLY.

Professional chefs take pride in the sense of style a kitchen conveys. They also appreciate the innovative and thoughtful conveniences that help make cooking a pleasure. Lynx Professional Grills distinguish your home's outdoor kitchen with their luxurious appearance and superior construction. Their advanced, user-friendly features, such as perfectly balanced hoods that move with fingertip pressure, simplify the preparation of memorable meals.

Building on a heritage of outfitting high-end commercial kitchens, Lynx Professional Grills have seamless, welded exteriors that are easier to keep clean. Additionally you will find conveniences such as halogen lighting that covers the entire grilling surface, and control knobs brilliantly lit by blue LEDs. Ensuring that your investment in outdoor entertaining will prove rewarding for years to come.

## DAD READY.

Serious outdoor chefs expect more from a high-performance grill than just impressive heat output. The ability to control heat so you can cook with finesse matters too. So do the many other details that help achieve great results. Lynx Professional Grills are built to live up to the most demanding expectations. Their corrosion-resistant, heavy-gauge stainless steel alloys withstand long-term exposure to the elements and are covered by the Lynx Limited Lifetime Warranty.

You'll find cast-brass burners based on the designs used in commercial restaurants. Ceramic radiant briquettes that evenly distribute heat. And ProSear2 infrared technology with instantaneous variable temperature adjustment. So whenever you're ready to cook outdoors, a Lynx Professional Grill is ready for you.

# A GREAT DESIGN CHANGES EVERYTHING



**GET STARTED TODAY**

With your complimentary design

Visit the Lynx Design Center  
[www.lynxgrills.com/designservice](http://www.lynxgrills.com/designservice)  
[designservice@lynxgrills.com](mailto:designservice@lynxgrills.com)



# DEMONSTRABLY SUPERIOR.

For more than 30 years, Lynx has been a model of engineering excellence.

Having built products for some of the most discerning clients in the hospitality industry, including resorts, restaurants and hotels, we know Lynx products hold up to heavy use and withstand the test of time and Mother Nature.

We believe the Lynx grill and its accoutrements are demonstrably superior to anything else available:

Lynx performs better  
Is stronger and more durable  
Is easier to use and clean  
And is better looking

We're sure that after some investigation, you'll agree that Lynx is the best.

## MEET DONATELLA ARPAIA NEW YORK, NY IRON CHEF JUDGE AND RESTAURATEUR

"My Lynx outdoor kitchen is beautiful, powerful and uses the latest technology. The grill cooks more evenly than any other grill and the made in America craftsmanship made it the only choice for me. There isn't anything I can't cook outside that I can inside. Our outdoor kitchen has become the heart of our home. It is perfect for entertaining and enjoying the beauty of the lake."





# QUALITY YOU CAN FEEL.

Touch and mechanical perfection are important to us at Lynx.

Run your fingers over one of our grills. Feel the flawless metal. Feel the seamless, polished welds. Note the lack of screws and the absence of sharp edges.

Now lift the grill hood. You can do it with a single finger. It weighs nearly 40 pounds, but thanks to the Lynx Hood Assist that employs perfectly positioned springs to achieve a seesaw-like balance, the hood opens and closes with a feather touch.

MEET

**ANDRÉS DANGOND** DOWNEY, CA  
LYNX EXECUTIVE CHEF, ONE OF THE YOUNGEST MICHELIN  
EXPERIENCED CHEFS

"The thing that blows my mind every time I turn on a Lynx Grill is how insanely hot it can get in a short amount of time. Realizing how fast it responds to heat adjustments when cooling it down for slow cooking after searing, or quickly heating up for reverse searing, made me realize we can almost forget everything we know about traditional grilling. These machines are perfect."







## WELL BUILT BY HIGHLY TRAINED CRAFTSMEN.

It takes the best to build the best. Lynx craftsmen train for years on our shop floor, before they are allowed to work on parts that interact with our customers.

They take a lot of pride in their work. We think it shows.

We have many sets of multiple generation craftsman on our floor passing their trade through the family.

MEET

**MICHAEL SCHWARTZ** MIAMI BEACH, FL  
CHEF/RESTAURANTEUR

"I'm honored to be part of the Lynx Chef Panel and work with its innovative products. Grilling is one of the simplest ways to build flavor into a dish and has always played an important role in my approach to cooking."



# SEAMLESS, WELDED CONSTRUCTION FOR QUALITY, STRENGTH AND BEAUTY.

Instead of using mechanical fasteners, our craftsmen construct Lynx products with continuously welded joints, forming precision pieces into a solitary, integrated body of gorgeous steel, free of gaps and seams where moisture and grease can collect.

This makes cleaning a lot easier, enhances durability and helps create Lynx's drop-dead good looks and unmistakable, tangible feel of absolute premium quality.



MEET

**ELIZABETH BLAU &  
KIM CANTEENWALLA** LAS VEGAS, NV  
CHEF/RESTAURATEUR

"We are very proud to be joining the Lynx Chef Panel. Our Lynx grill is a success. We truly feel there is no competitor that can hold a candle to Lynx in terms of outdoor grilling."



## CAST BRASS BURNERS FOR EXTREMELY EVEN COOKING.

Cast burners hold and radiate a high temperature, so a passing breeze can't rob the grill of heat. We cast ours in brass – lift this burner, feel the heft and weight of it.

(If you think we're splitting hairs, just remember that some of our customers can identify the vintage of their Cabernet Sauvignon by the taste of the wine alone. And this difference is much bigger than that.)

Also, look closely through the grates of other manufacturers' premium grills. What do you see? A corrugated baffle of steel? At Lynx, we choose to use durable ceramic briquettes that are clipped into place.

The combination of the cast brass burners and the ceramic briquette array makes for extremely even cooking.



MEET

**GLENN LYMAN** CHARLOTTE, NC  
PERSONAL CHEF TO HIGH PROFILE ATHLETES

"When I think about time spent around the grill, I recall a lifetime of experience and quality time with family and friends. I cherish the memories of hanging out around the grill, sharing stories, swapping recipes, and making plans for the next gathering. Imagining the great taste and smell of grilled food sparks up nostalgia I will never forget. Thanks to the championship quality of Lynx, I have a real home-court advantage in the outdoor kitchen."



# PATENTED TRIDENT PROSEAR2 VARIABLE SEARING TECHNOLOGY FOR EXACTING, RESTAURANT-QUALITY PERFORMANCE.

Unlike many grills with infrared searing burners that only offer two settings – high or off – the Lynx patented Trident ProSear2 infrared burner is variable, allowing you to sear a baseball-cut filet mignon restaurant style, then throttle it back to cook delicate seafood like scallops.

Nevertheless, you should know that many new Lynx owners accidentally overcook their first dish or two. Don't worry – it's a rite of passage, like getting a speeding ticket after you buy a new sports car.



## MEET KEVIN GARVIN DALLAS, TX EXECUTIVE CHEF, NEIMAN MARCUS RESTAURANTS

"I like to use my outdoor Lynx grill as often as I can and nothing is better than searing a nice New York steak at 500 to 600 degrees. Once both sides are seared I move the steak to a cooler part of the grill to finish cooking. It's that outside crispy char that I strive for all the time. Thanks for building the greatest grills in the world!"



 ProSear2

## ALL TRIDENT TECHNOLOGY – OUR BEST HEAT PROFILE EVER.

With the Lynx All Trident grills the briquette trays are gone! The All Trident grills are true high-performance machines with the best heat profile of any Lynx grill.

All Trident ProSear2 infrared burners provide the fastest-ever preheat, along with extremely responsive temperature control for searing precision impossible with other grills. 42" and 36" All Trident Grills offer three distinct temperature zones. The 30" grill has two zones.

The All Trident grills offer maximum grill performance – they're the best grills Lynx has ever made.



MEET

**DEVIN ALEXANDER** LOS ANGELES, CA  
MEDIA PERSONALITY, WEIGHT LOSS EXPERT, CHEF ON NBC'S  
THE BIGGEST LOSER

"I grill almost daily because grilling adds amazing flavor without adding the calories! I'm in love with my Lynx because it adds so much versatility and ease with an incredibly upscale look."





All Trident

# INTEGRATED ILLUMINATION SO YOU CAN SEE WHAT YOU'RE DOING.

The blue LED lights – a Lynx signature – light up the control knobs, and our ultra-bright internal halogen lights illuminate the grilling surface. Without these features, it can be difficult to tell when al dente is about to become overcooked, or rare is about to become medium.

You wouldn't cook indoors with the lights off. With a Lynx, you don't have to grill outdoors that way either.



MEET  
**KENT RATHBUN** DALLAS, TX  
IRON CHEF RESTAURATEUR

"As a chef I have been fortunate enough to work with many brands of equipment but when it comes to outdoor appliances, I find Lynx to be the Porsche of outdoor kitchen products."



 LYNX



### GRILL SURFACE LIGHT

We position our internal halogen light(s) directly above the grilling surface to effectively illuminate the entire area.



### ROTISSERIE SYSTEM

Dual-position rotisserie with 3-speed motor features stainless steel roller bearings.



### HOT SURFACE IGNITION SYSTEM

This advanced system uses a glowing element to ignite the burner quickly and safely.



### LYNX HOOD ASSIST KIT

The exclusive heat-treated stainless steel spring system is a simple mechanism that makes opening the hood effortless and safe.



### THE HEAT STABILIZER

Stabilizes critical grill surface temperatures when cooking with the grill lid closed in windy conditions.



### REMOVABLE SMOKER BOX

Our stainless steel smoker box with larger capacity requires less refilling of wood chips while smoking or flavoring.

# THE LYNX PROFESSIONAL COLLECTION

\*Features



## 54" PROFESSIONAL BUILT-IN GRILL

### Model No. L54PSR-2 (shown)

Three cast brass burners + one Trident ProSear2 Burner (total 98,000 BTUs)

1555-sq. in. cooking surface (1110 primary, 445 secondary)

Hot surface ignition system

Heat stabilizing design

Control illumination with blue LEDs

Dual halogen grill surface lights

Temperature gauge

Fluid rotation handle

Lynx Hood Assist Kit

Removable large-capacity smoker box

Stainless steel grilling grates

Dual-position internally powered rotisserie with heavy-duty, 3-speed motor and two rear infrared burners



## 54" PROFESSIONAL FREESTANDING GRILL

### Model No. L54PSFR-2 (shown)

Three cast brass burners + one Trident ProSear2 Burner (total 98,000 BTUs)

1555-sq. in. cooking surface (1110 primary, 445 secondary)

Hot surface ignition system

Heat stabilizing design

Control illumination with blue LEDs

Dual halogen grill surface lights

Temperature gauge

Fluid rotation handle

Lynx Hood Assist Kit

Removable large-capacity smoker box

Stainless steel grilling grates

Dual-position internally powered rotisserie with heavy-duty, 3-speed motor and two rear infrared burners

Heavy duty casters with brakes for easy maneuvering

Fold down shelves on cart

Built-in	Freestanding	Description
L54PSR-2	L54PSFR-2	1 ProSear2 IR w/Rotisserie*

# THE LYNX PROFESSIONAL COLLECTION

\*Features

ProSear2



## 42" PROFESSIONAL BUILT-IN GRILL

### Model No. L42PSR-2 (shown)

All Trident, ProSear2, and all briquette models available (up to 75,000 BTUs)

1200-sq. in. cooking surface (855 primary, 345 secondary)

Hot surface ignition system

Heat stabilizing design

Control illumination with blue LEDs

Dual halogen grill surface lights

Temperature gauge

Fluid rotation handle

Lynx Hood Assist Kit

Removable large-capacity smoker box

Stainless steel grilling grates

Dual-position internally powered rotisserie with heavy-duty, 3-speed motor and rear infrared burner



## 42" PROFESSIONAL FREESTANDING GRILL

### Model No. L42PSFR-2 (shown)

All Trident and ProSear2 models available (up to 73,000 BTUs)

1200-sq. in. cooking surface (855 primary, 345 secondary)

Hot surface ignition system

Heat stabilizing design

Control illumination with blue LEDs

Dual halogen grill surface lights

Temperature gauge

Fluid rotation handle

Lynx Hood Assist Kit

Removable large-capacity smoker box

Stainless steel grilling grates

Dual-position internally powered rotisserie with heavy-duty, 3-speed motor and rear infrared burner

Heavy duty casters with brakes for easy maneuvering

Cart has door and double drawers

Fold down shelves on cart

Built-in	Freestanding	Description
L42R-1		w/Rotisserie
L42PSR-2	L42PSFR-2	1 ProSear2 IR w/Rotisserie*
L42ASR	L42ASFR	All Trident w/Rotisserie*



All Trident Grills

# THE LYNX PROFESSIONAL COLLECTION

\*Features

**ProSear2**



## 36" PROFESSIONAL BUILT-IN GRILL

### Model No. L36PSR-2 (shown)

All Trident, ProSear2, and all briquette models available (up to 75,000 BTUs)

935-sq. in. cooking surface (640 primary, 295 secondary)

Hot surface ignition system

Heat stabilizing design

Control illumination with blue LEDs

Dual halogen grill surface lights

Temperature gauge

Fluid rotation handle

Lynx Hood Assist Kit

Removable large-capacity smoker box

Stainless steel grilling grates

Dual-position internally powered rotisserie with heavy-duty, 3-speed motor and rear infrared burner

Built-in	Freestanding	Description
----------	--------------	-------------

L36R-1		w/Rotisserie
--------	--	--------------

L36PSR-2	L36PSFR-2	1 ProSear2 IR w/Rotisserie*
----------	-----------	-----------------------------

L36ASR	L36ASFR	All Trident with Rotisserie*
--------	---------	------------------------------

## 36" PROFESSIONAL FREESTANDING GRILL

### Model No. L36PSFR-2 (shown)

All Trident and ProSear2 models available (up to 73,000 BTUs)

935-sq. in. cooking surface (640 primary, 295 secondary)

Hot surface ignition system

Heat stabilizing design

Control illumination with blue LEDs

Dual halogen grill surface lights

Temperature gauge

Fluid rotation handle

Lynx Hood Assist Kit

Removable large-capacity smoker box

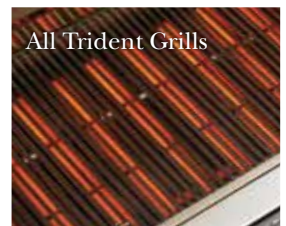
Stainless steel grilling grates

Dual-position internally powered rotisserie with heavy-duty, 3-speed motor and rear infrared burner

Heavy duty casters with brakes for easy maneuvering

Fold down shelves on cart

Heavy duty swing out doors on cart



All Trident Grills

# THE LYNX PROFESSIONAL COLLECTION

\*Features

**ProSear2**



## 30" PROFESSIONAL BUILT-IN GRILL

### Model No. L30PSR-2 (shown)

All Trident, ProSear2, and all briquette models available (up to 50,000 BTUs)

840-sq. in. cooking surface (600 primary, 240 secondary)

Hot surface ignition system

Heat stabilizing design

Control illumination with blue LEDs

Halogen grill surface light

Temperature gauge

Fluid rotation handle

Lynx Hood Assist Kit

Removable large-capacity smoker box

Stainless steel grilling grates

Dual-position internally powered rotisserie with heavy-duty, 3-speed motor and rear infrared burner (rotisserie model only)

## 30" PROFESSIONAL FREESTANDING GRILL

### Model No. L30PSFR-2 (shown)

All Trident and ProSear2 models available (up to 48,000 BTUs)

840-sq. in. cooking surface (600 primary, 240 secondary)

Hot surface ignition system

Heat stabilizing design

Control illumination with blue LEDs

Halogen grill surface light

Temperature gauge

Fluid rotation handle

Lynx Hood Assist Kit

Removable large-capacity smoker box

Stainless steel grilling grates

Dual-position internally powered rotisserie with heavy-duty, 3-speed motor and rear infrared burner (rotisserie model only)

Heavy duty casters with brakes for easy maneuvering

Fold down shelves on cart

Heavy duty swing out doors on cart

Built-in	Freestanding	Description
L30R-1		w/Rotisserie
L30PSR-2	L30PSFR-2	1 ProSear2 IR w/Rotisserie*
L30ASR	L30ASFR	All Trident with Rotisserie*



All Trident Grills



# THE LYNX PROFESSIONAL COLLECTION

\*Features

**ProSear2**



## 27" PROFESSIONAL BUILT-IN GRILL

### Model No. L27R-2 (shown)

ProSear2 and all briquette models available (up to 50,000 BTUs)

685-sq. in. cooking surface (470 primary, 215 secondary)

Hot surface ignition system

Heat stabilizing design

Control illumination with blue LEDs

Halogen grill surface light

Temperature gauge

Fluid rotation handle

Lynx Hood Assist Kit

Removable large-capacity smoker box

Stainless steel grilling grates

Dual-position internally powered rotisserie with heavy-duty, 3-speed motor and rear infrared burner (rotisserie model only)

Built-in	Freestanding	Description
L27R-2	L27FR-2	w/Rotisserie
L27PSR-3	L27PSFR-3	1 ProSear2 IR w/Rotisserie*

## 27" PROFESSIONAL FREESTANDING GRILL

### Model No. L27FR-2 (shown)

ProSear2 and all briquette models available (up to 50,000 BTUs)

685-sq. in. cooking surface (470 primary, 215 secondary)

Hot surface ignition system

Heat stabilizing design

Control illumination with blue LEDs

Halogen grill surface light

Temperature gauge

Fluid rotation handle

Lynx Hood Assist Kit

Removable large-capacity smoker box

Stainless steel grilling grates

Dual-position internally powered rotisserie with heavy-duty, 3-speed motor and rear infrared burner (rotisserie model only)

Heavy duty casters with brakes for easy maneuvering

Fold down shelves on cart

Heavy duty swing out doors on cart



*Shown: Freestanding Napoli Pizza Oven*

# NAPOLI PIZZA OVEN BY LYNX™



NAPOLI PIZZA OVEN BY LYNX™  
(FREESTANDING)

**Model No. LPZAF (shown)**

Specially formulated concrete refractory interior dome and cooking surface

18" x 22" stone surface drawer pulls forward for easy access

Preheats quickly to 700°F for a quick pizza cook

Variable infrared heating system

Hand-polished mirrored edges

Blue LED control knob illumination

Interior halogen light

Reversible top chimney vents towards front or rear

Removable front door

400 square inch cooking surface

Includes 12 ¼" x 20" aluminum pizza peel

Freestanding cart has 606 square inch food prep area, storage drawers, side shelf & additional fold out shelf



NAPOLI PIZZA OVEN BY LYNX™  
(BUILT-IN & COUNTERTOP)

**Model No. LPZA (shown)**

Specially formulated concrete refractory interior dome and cooking surface

18" x 22" stone surface drawer pulls forward for easy access

Preheats quickly to 700°F for a quick pizza cook

Variable infrared heating system

Hand-polished mirrored edges

Blue LED control knob illumination

Interior halogen light

Reversible top chimney vents towards front or rear

Removable front door

400 square inch cooking surface

Includes 12 ¼" x 20" aluminum pizza peel

*Shown: Asado by Lynx™*



# 30" ASADO BY LYNX™



## 30" ASADO BY LYNX™ GRILL (BUILT-IN)

### Model No. L30AG (shown)

Two Trident ProSear2 Variable Temperature Burners

525-sq. in. cooking surface

Full temperature range controlled valves

Durable multi-layer grilling surface of aluminum sandwiched between two sheets of stainless steel

Control illumination with blue LEDs

Removable grease tray for easy cleaning

Removable grilling surface for convenient cleaning and maintenance

Includes attractive Stainless Steel cover

Fits 30" grill cut-out dimensions



## 30" ASADO BY LYNX™ GRILL (FREESTANDING)

### Model No. L30AGF (shown)

Two Trident ProSear2 Variable Temperature Burners

525-sq. in. cooking surface

Full temperature range controlled valves

Durable multi-layer grilling surface of aluminum sandwiched between two sheets of stainless steel

Control illumination with blue LEDs

Removable grease tray for easy cleaning

Removable grilling surface for convenient cleaning and maintenance

Includes attractive Stainless Steel cover

Grill head is welded to cart to insure strength and longevity

Commercial casters on cart with 360 degrees of maneuverability

Fold-down shelves on cart

Heavy duty swing-out doors on cart

The Lynx Asado by Lynx™ Grill is the perfect complement to complete your outdoor kitchen. With a multi-layer grilling surface of aluminum sandwiched between two sheets of stainless steel for even heat distribution, the two ProSear2 infrared burners provide responsive temperature control over two independent cooking zones. Breakfast, lunch, or dinner entrées and side dishes are prepared to your individual tastes for a complete dining experience. All from the outdoor kitchen experts at Lynx.

# SONOMA SMOKER BY LYNX™

AVAILABLE IN SPRING 2016

NEW



## SONOMA SMOKER (BUILT-IN OR COUNTERTOP)

1000 sq. inches of cooking surface

Dual racks for food placement

100 to 300 degrees fahrenheit

Smoke up to 6 hours without reloading fuel

WiFi and App enabled allows you to check status of your food

Digital control panel



## SONOMA SMOKER (FREESTANDING)

1000 sq. inches of cooking surface

Dual racks for food placement

100 to 300 degrees fahrenheit

Smoke up to 6 hours without reloading fuel

WiFi and App enabled allows you to check status of your food

Digital control panel



## SMOKER BOX

Holds up to 6 hours of fuel

Perfectly holds custom blend fuel by Lynx

Flame suppressing smoker box



## WIFI ENABLED ANTENNA

WiFi and App enabled allows you to control smoker

# MOBILE KITCHEN BY LYNX

NEW



## SONOMA SMOKER ON MOBILE KITCHEN CART

1000 sq. inches of cooking surface

Dual racks for food placement

100 to 300 degrees fahrenheit

Smoke up to 6 hours without reloading fuel

WiFi and App enabled allows you to check status of your food

Digital control panel

Cart has 606 sq. inch food prep area, storage drawers, side shelf & additional fold out shelf

Heavy duty casters with brakes for easy maneuvering



## 30" GRILL ON MOBILE KITCHEN CART

All the features of the 30" Lynx Professional Grill

840 sq. inch cooking surface

Cart has 606 sq. inch food prep area, storage drawers, side shelf & additional fold out shelf

Heavy duty casters with brakes for easy maneuvering



## ASADO BY LYNX™ ON MOBILE KITCHEN CART

All the features of the Asado by Lynx™ Grill

Cart has 606 sq. inch food prep area, storage drawers, side shelf & additional fold out shelf

Heavy duty casters with brakes that allow for easy maneuvering



## PREP AND SERVE COUNTERTOP ON MOBILE KITCHEN CART

Flat counterspace for prep and serve

Cart has 606 sq. inch food prep area, storage drawers, side shelf & additional fold out shelf

Heavy duty casters with brakes for easy maneuvering

# LEISURE MEETS LUXURY.

Whether it's indoors or outdoors, a kitchen is more than a cook-top or a grill. It's the point around which entertaining revolves.

To help you welcome your family and guests to an exquisite outdoor dining experience, Lynx is ready with a full complement of entertainment products ranging from refrigerators to warming drawers. All of the most extraordinary equipment you'll want – for everyday cooking and special entertaining.

Take, for example, our outdoor kitchen storage system. It's artfully designed to keep all your essentials right where you want them. The Storage Door & Double Drawer Combination comes fully equipped with soft-close drawer slides, soft close hinge on the door, and illuminating interior lighting. From tools and condiments to towels and wood chips, you'll know that everything is close at hand. So you can prepare memorable cuisine like a professional chef, without having to leave your grill—or your guests—to go looking for what you need.

Timeless elegance and quality in every detail define the aura of luxury that Lynx products bring to the homes that select them. Their appearance, as well as their performance, elevates the dining experience. And the most special dining experience of all is dining with your family. All of our products are designed in the same Lynx way: with every feature thought through, fully engineered, and crafted to give you lasting satisfaction.





*Shown: Double Side Burner - Prep Center*

# COMPLEMENTARY PRODUCTS



## POWER BURNER

### Model No. LPB

Cast Brass Burner rated at 47,000 BTU

Burner features dual rings that can be operated independently or together for a broad range of heat output from 6,000 BTU to 47,000 BTU

Hot Surface Ignition System

Removable grate insert provides simple conversion to accommodate round-bottom commercial style wok for Asian cooking

Replace the insert and the unit is ready for an oversized stockpot or pan

Control Illumination with blue LEDs

Removable stainless steel cover

Fully extendable drip pan

For built-in application only

May require Lynx Accessory Switch Kit for power supply (LASK)



## DOUBLE SIDE BURNER W/INTEGRAL PREP CENTER

### Model No. LSB2PC-1

Two 15,000 BTU brass burners capable of intense high heat and a low simmer

Burners and burner basin are sealed and easy to clean

Control Illumination with blue LEDs

Lift-out bamboo cutting board provides a convenient prep area

Extended depth utility drawer for utensil and condiment storage / accommodates oversized utensils

Two removable stainless steel covers for prep area and side burners

Hot Surface Ignition System

For built-in application only

May require Lynx Accessory Switch Kit for power supply (LASK)



## SINGLE AND DOUBLE BURNERS

### Model No. LSB1-3 / LSB2-2

15,000 BTU brass burner(s) capable of intense high heat and a low simmer

Burners and burner basin are sealed and easy to clean

Control Illumination with blue LEDs

Hot Surface Ignition System

Stainless steel cover protects the burner(s) when not in use

Single or double burner configurations

Continuously welded joints for quality, strength and beauty

Finished seams with finely polished edges

Available for cart mounted applications (shown below) (LCB2-2)

May require Lynx Accessory Switch Kit for power supply (LASK)



Available for cart mounted applications (LCB2-3)



*Shown: Power Burner*

# COMPLEMENTARY PRODUCTS



## 15" 20 BOTTLE WINE CELLAR

### Model No. L15WINE

UL listed for outdoor use

20 750 ml. bottle capacity

Single zone operation

Horizontal rack design maintains cork integrity to avoid deterioration that could allow oxygen penetration

Unique forced air circulation system for even temperature control throughout unlike other products that rely on a rear cold plate to achieve temperature that can create icy temperatures at the back of the unit

Programmable digital temperature control

Two inch thick foamed-in-place walls protect against vibration

Low-E, UV coated glass limits exposure to light without sacrificing the display of the collection

Commercial grade stainless steel interiors resists stains and odors

Left hinged door

34 $\frac{1}{4}$  H x 14 $\frac{7}{8}$  W x 24 D



## 24" TWO DRAWER REFRIGERATOR

### Model No. L24DWR

UL listed for outdoor use

Stainless steel interior and exterior

Energy Star rated

Digital read-out

Full extension drawers

Temp range of 34 to 40 degrees F

Forced-air cooling and advanced insulation

Variable-speed compressor

Drawer lock

5.2 cu. ft. of useable capacity



## 24" OUTDOOR REFRIGERATOR / CONVERTIBLE BEVERAGE DISPENSER

### Model No. L24BF

UL listed for outdoor use

Stainless steel interior and exterior

Interior light

Energy Star rated

Digital read-out

Two racks with multiple positions

Temp range of 34 to 40 degrees F

Forced-air cooling and advanced insulation

Variable-speed compressor

Door lock

Accommodates all standard keg sizes except a half barrel & full keg

Tower Kits (Model L24TWS - single tap or L24TWD - dual tap) available as accessories and include CO2 tank, hoses and fittings

Caster Kit (Model L24CST) available for freestanding applications

Tap Base (Model L24TWB) provides tap mounting system for island counter tops

Ships left hinged

Reversible door - requires PN 90197

5.2 cu. ft. of useable capacity

Shown: 20 Bottle Wine Cellar



# COMPLEMENTARY PRODUCTS



## 24" OUTDOOR FRIGERATOR

### Model No. L24REF

UL listed for outdoor use

Seamless stainless steel exterior

Interior light

5.5 cubic feet of usable capacity

4 tempered glass shelves with 8 positions

Seamless interior liner

Adjustable leveling legs

GFI-equipped plug

Adjustable temperature control

Right hinged door only



## 15" OUTDOOR ICE MACHINE

### Model No. L15ICE

UL listed for outdoor use

Seamless stainless steel exterior

Capable of producing 55 lbs. of ice in a 24 hr. period

27 lbs. of actual ice storage

Adjustable leveling legs

Optional drain pump available (Model L15ICE-DP)

Right hinged door only



*Shown: Outdoor Refrigerator and Beverage Dispenser*

# COMPLEMENTARY PRODUCTS



## 30" BUILT-IN WARMING DRAWER

### **Model No. L30WD-1**

Temperature range of 90 to 220 degrees F

---

Includes two removable steam pans, lids and steam racks

---

Moist and crisp settings allow you to keep food at the desired texture

---

Concealed heating element allows you to use the drawer as a towel or robe warmer

---

"On" indicator light reminds you that the drawer is on

---

Weather resistant stainless steel construction

---



## 42" WARMING DRAWER & CONVENIENCE CENTER

### **Model No. L42CC-1**

Warming drawer, Storage Cabinet and Utility Drawer in one convenient unit

---

Sliding LP tank tray for safe and easy LP tank access

---

Full width and depth utility drawer accommodates oversized grill tools, towels and condiments

---

Warming Drawer features are identical to the 30" Outdoor Warming Drawer (Model L30WD-1)

---

Weather resistant stainless steel construction

---





*Shown: Built-in Warming Drawer*



## VENTANA STORAGE COLLECTION

The Lynx Ventana Collection of elegant outdoor storage solutions is named after the Ventana Wilderness, 240,000 acres along the Big Sur coast in central California that is renowned as a destination for restoration of the spirit and soul. This coast has been described as “the greatest meeting of mountains and sea”.

Combining beauty with functionality, smooth front facings, recessed handles, and tapered framing merge to form a sleek and contemporary balance to your Lynx outdoor kitchen. Dust and water resistant, each door and drawer softly closes itself as if to punctuate the elegance of an artistic statement. The Ventana Collection from Lynx proves that small things can make a big difference



SEALED FRAME



HANDCRAFTED FRAMING



SOFT CLOSE HINGE



FLUSH MOUNTED REVERSIBLE HANDLE



SOFT CLOSE SLIDES

# COMPLEMENTARY PRODUCTS



## OUTDOOR KITCHEN STORAGE SYSTEM

### Model No. LSA30-4 / LSA36-4 / LSA42-4

Access door and double drawer combination

30, 36 and 42 inch sizes available

Each drawer is fully enclosed and 24 1/2" deep

Illuminated drawers and door space

Soft close hinge on access door

Shallow drawer for easy access to tools and accessories

Deeper drawer for storing pots and pans

Sealed along framing to aid in dust and water prevention

Flush mounted reversible handle

Door kit accessories available

Easy to clean

No crevice for insect nest

Sleek contemporary look



## DOUBLE DRAWERS

### Model No. LDW16-4 / LDW19-4

Each drawer has an extended depth of 24 1/2" to accommodate oversized grill tools, spices, towels or wood chips

Soft close drawer slides

Fully extendable drawers on stainless steel glides

Rigid welded construction to ensure strength and longevity

Drawers are fully enclosed for protection

Sealed along framing to aid in dust and water prevention

Flush mounted reversible handle

Easy to clean

No crevice for insect nest

Sleek contemporary look



## DOOR ACCESSORY KIT

### Model No. LDRKS / LDRKL

Each kit includes 2 Bottle Holder and 1 Towel Bar to be mounted inside the door panel

LDRKS: To be used on 18", 30", and 36" doors

LDRKL: To be used on 24" and 42" door



## SINGLE ACCESS DOORS / DOUBLE ACCESS DOORS

### Model No. LDR18L/R-4 / LDR24L-4 / LDR24R-4 / LDR30T-4 LDR36T-4 / LDR42T-4

18", 24", 30", 36" and 42" sizes available

Left or right-hinge available on single access doors

Soft close hinge

Flush mounted reversible handle

Door kit accessories available

Easy to clean

No crevice for insect nest

Sleek contemporary look

# COMPLEMENTARY PRODUCTS



## OUTDOOR TRASH & RECYCLE CENTER

### Model No. L20TR-4

Robust commercial design

Slide out trash and recycle bins

Easily removable for cleaning

Includes two removable bins for trash and recycling

Sealed along framing to aid in dust and water prevention

Flush mounted reversible handle

No crevice for insect nest

Sleek contemporary look



## TRASH CHUTE

### Model No. L18TS

Perfect complement to Trash Center

Convenient disposal without opening the door

Includes slide-away commercial cutting board

Stainless steel cover with professional handle



## 30" TRASH CENTER & DOUBLE DRAWERS

### Model No. LTA30-4

Combination trash center/storage system

Robust commercial design

Slide out trash/recycle bin

Two stacked drawers

Accommodates an LP tank

Sealed along framing to aid in dust and water prevention

Flush mounted reversible handle

Soft close hinge

Easy to clean

No crevice for insect nest

Sleek contemporary look

# COMPLEMENTARY PRODUCTS



## MODULAR STORAGE DRAWER

### Model No. LMD-4

Interior Drawer: 20 3/8" W x 23" D x 4 7/8" H

Drawer Face: 7 5/8" H x 23 5/8" W

Shallow depth, easy to organize storage solution

Rigid stainless steel construction

Full extension drawer slides for easy access to the back of the drawer

Drawers can be installed individually or stacked in 2 or 3-drawer configurations

3-drawer configuration matches the height of Lynx LDR Access Doors

A Modular Drawer Kit (Model LMDKIT) is required when drawers are stacked 2 or 3 high

Flush mounted reversible handle



## OUTDOOR TOWEL DISPENSER

### Model No. LTWL

Provides a concealed, attractive option

Accommodates a standard roll of paper towels

Heavy-duty welded construction

Door swings up

Sealed along framing to aid in dust and water prevention

Flush mounted reversible handle

Soft close hinge

Easy to clean

No crevice for insect nest

Sleek contemporary look



## SLIDING TANK TRAY

### Model No. LSTLP

This sliding tank tray provides easy access to your LP tank

Available for 30", 42" and 54" freestanding cart models

Fits on 30", 36" and 42" drawer combinations (LSA)



## OUTDOOR TOWEL BAR

### Model No. LTB

Add a convenient towel bar to the face of any Lynx outdoor kitchen

Complements the aesthetic of other Lynx products with matching handle and end cap design

# COMPLEMENTARY PRODUCTS



## SEALED PANTRY

### Model No. LPA36-4

Magnetic Gasket insures tight seal which protects cookware, dry goods and more from pests and weather

Full extension glide out drawers

Adjustable wire shelf

Illuminated drawers and door lock

Storage space is 31" x 18" x 23"

Easy to clean

Sleek contemporary look



## OUTDOOR FAUCET

### Model No. LPFK

Solid stainless steel faucet

Outdoor rated 10 year warranty

Hot/cold or cold only

Washerless operation

High arch fits larger pots & pans

Single lever handle operation

Pull down feature



## SINK

### Model No. LSK18

Basin size 14 3/4" x 16 1/2" x 10"

3 1/2" drain with stopper & basket

Accommodates disposal unit

Fully insulated (ice capacity 18 lbs.)

Sized to accommodate faucet LPFK

Blue LED lights & switch

Stainless Steel cover included



## SINK

### Model No. LSK24

Basin size 20 3/4" x 16 1/2" x 10"

3 1/2" drain with stopper & basket

Accommodates disposal unit

Fully insulated (ice capacity 24 lbs.)

Sized to accommodate faucet LPFK

Blue LED lights & switch

Stainless Steel cover included



## SINK

### Model No. LSK30

Basin size 26 3/4" x 16 1/2" x 10"

3 1/2" drain with stopper & basket

Accommodates disposal unit

Fully insulated (ice capacity 30 lbs.)

Sized to accommodate faucet LPFK

Blue LED lights & switch

Stainless Steel cover included

# COMPLEMENTARY PRODUCTS



## POST-MOUNTED INFRARED PATIO HEATER

### Model No. LHPM

Robust commercial design / stainless steel construction

Innovative technology that reduces the center "hot spot" and distributes heat more evenly

Polished 'double surface' reflector intensifies heat output

Large heat radius

Specially designed for improved wind resistance

Direct Spark Ignition with Auto re-light

Remote wall switch operation (switch kit included)

Electronic High / Low heat selection

2-Stage output from 53,000 BTU to 46,000 BTU

Available only for Natural Gas



## EAVE MOUNT PATIO HEATER

### Model No. LHEM48

All stainless steel welded construction

Spark ignition with auto re-light

Slim, attractive profile

Decorative safety grill provides wind resistance

Convenient, battery operated. Requires no 110V electrical routing for basic installation

Includes wireless, wall mounted, on-off-high-low switch

Includes an additional touch screen remote control

Variable output from 35,000 BTU to 24,000\*

Remote thermostat temperature control



# COMPLEMENTARY PRODUCTS



## 30" BUILT-IN COCKTAIL PRO

### Model No. CS30-1

Shown with optional pass shelf with halogen light (CSPS)

Built-in bottle opener with integral cap catcher

Front Panel Illumination with blue LEDs

Bottle boots for chilling juices, wines and mixes

Speedrail front bottle storage for quick and easy access to bottles

Insulated ice bin with sliding stainless steel cover holds ice for extended periods of time

Stainless steel sink with faucet and water filtration system

Convenient integrated towel holder, drain board and slide-away cutting board

Pass shelf accessory special order with cocktail station



## 30" FREESTANDING COCKTAIL PRO

### Model No. CS30F-1

Shown with optional pass shelf with halogen light (CSPS)

Built-in bottle opener with integral cap catcher

Front Panel Illumination with blue LEDs

Bottle boots for chilling juices, wines and mixes

Speedrail front bottle storage for quick and easy access to bottles

Insulated ice bin with sliding stainless steel cover holds ice for extended periods of time

Stainless steel sink with faucet and water filtration system

Convenient integrated towel holder, drain board and slide-away cutting board

Two fold-down shelves

Doors include bottle shelves that are removable for easy cleaning

Four commercial casters make these units easy to move

Rigid welded construction insures strength and longevity

Pass shelf accessory special order with cocktail station





*Cocktail Station Shown with: Optional Pass Shelf*

# COMPLEMENTARY PRODUCTS & GRILL COVERS



## OUTDOOR VENT HOODS

**Model No. LOH36 / LOH48 / LOH60**

3 speed motor control

UL rated for outdoors

2 - 50 watt halogen lights

Internal or external blower (sold separately)

Internal Blower Motor (1,200 CFM), Model No. LOHI

External Blower Motor (1,400 CFM), Model No. LOHE

Duct Covers available in a variety of sizes



## GRILL AND ACCESSORY COVERS

Custom tailored fit

Deep embossed Lynx logo

Extra-durable carbon fiber vinyl

Thick felt lining to protect the sleek stainless steel finish

Pocket seams with flexible nylon cord for a secure fit

Rear vent to help expel moisture

Nylon finger loops help pull and secure the cover over the grill

# ACCESSORIES



## INSULATED JACKET

**Model No. LIJ27 / LIJ30 / LIJ36 / LIJ42 / LIJ54**

Mandatory for grills installed in islands with combustible materials

---

Attractive all welded, stainless steel exterior

---



## QUICK DISCONNECT WITH SHUTOFF & FITTINGS

**Model No. LQD**

Simple solution for gas connections

---

1/2" ID hose ensures adequate gas supply

---

12' hose includes 1/2" quick disconnect fitting at one end and 1/2" male pipe thread on the other

---

Includes manual shut-off valve

---



## GRIDDLE PLATE

**Model No. GP**

Cook anything on your grill

---

Easy to clean stainless steel surface

---

11" x 15" cooking surface

---

Angled 5° slope front to rear to prevent spillage

---

4 feet firmly grip grates

---

2" high sides

---



*Shown:* 42" Grill with Storage System, Prep Center, Storage Drawers, Warming Drawer and beverage area featuring Outdoor Refrigerator, Ice Machine, Cocktail Pro, and Napoli Pizza Oven.

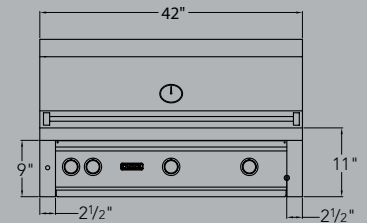


## SUPPORT/PRODUCT DOCUMENTS

To help ensure your outdoor kitchen is perfectly designed around your Lynx products, please download all specifications on our website

### Downloads of 2D CAD drawings

---



### Downloads of 3D product renderings

---



### Downloads of Care, Use and Installation Manuals

---



To access the files, visit the Lynx website at [www.LynxGrills.com](http://www.LynxGrills.com) and select the Support main menu heading. Here you will find our Product Documents.

# SPECIFICATIONS

The guides, measurements and dimensions detailed below are designated to assist you with planning your outdoor kitchen in inches.

**NOTE:** Due to continuing product innovation, specifications are subject to change without notice.

**IMPORTANT:** Please reference the Care & Use / Installation manual for details on gas plumbing requirements, electrical specifications and the proper installation of your Lynx outdoor kitchen equipment. Care and use manuals and product specification sheets can be downloaded from the Lynx Website under Support. [www.lynxgrills.com/support/productdocuments](http://www.lynxgrills.com/support/productdocuments).

## GRILLS

MODEL	A	B	C
L27	26	10 <sup>7</sup> / <sub>8</sub>	22
L30*	29	10 <sup>7</sup> / <sub>8</sub>	24 <sup>1</sup> / <sub>2</sub>
L36	35	10 <sup>7</sup> / <sub>8</sub>	22
L42	41	10 <sup>7</sup> / <sub>8</sub>	24 <sup>1</sup> / <sub>2</sub>
L54	53	10 <sup>7</sup> / <sub>8</sub>	24 <sup>1</sup> / <sub>2</sub>

\*Asado - Use L30 dimensions above

## COMPLEMENTARY PRODUCTS

### ACCESS DOORS

MODEL	A	B
LDR18L/R-4	13 <sup>5</sup> / <sub>8</sub>	19
LDR24L/R-4	18 <sup>1</sup> / <sub>4</sub>	19
LDR30T-4	25 <sup>1</sup> / <sub>4</sub>	19
LDR36T-4	31 <sup>5</sup> / <sub>8</sub>	19
LDR42T-4	37 <sup>5</sup> / <sub>8</sub>	19

### SIDE BURNERS

MODEL	A	B	C
LSB1-3	12 <sup>1</sup> / <sub>8</sub>	10 <sup>5</sup> / <sub>8</sub>	12 <sup>1</sup> / <sub>4</sub>
LSB2-2	12 <sup>1</sup> / <sub>8</sub>	10 <sup>5</sup> / <sub>8</sub>	24 <sup>1</sup> / <sub>2</sub>
LSB2PC-1	24 <sup>1</sup> / <sub>4</sub>	10 <sup>5</sup> / <sub>8</sub>	24 <sup>1</sup> / <sub>2</sub>
LPB	19	10 <sup>5</sup> / <sub>8</sub>	22

### UTILITY DRAWERS

MODEL	A	B	C
LDW16-4	11 <sup>1</sup> / <sub>2</sub>	19	24 <sup>1</sup> / <sub>2</sub>
LDW19-4	17 <sup>1</sup> / <sub>2</sub>	19	24 <sup>1</sup> / <sub>2</sub>
LMD	21 <sup>3</sup> / <sub>4</sub>	5 <sup>5</sup> / <sub>8</sub>	23 <sup>3</sup> / <sub>8</sub>
LTWL	14 <sup>1</sup> / <sub>2</sub>	7	7

### WARMING DRAWERS

MODEL	A	B	C
L30WD-1	28 <sup>1</sup> / <sub>2</sub>	10	20 <sup>1</sup> / <sub>2</sub>
L42CC-1	40 <sup>1</sup> / <sub>4</sub>	19 <sup>3</sup> / <sub>8</sub>	24 <sup>1</sup> / <sub>2</sub>

### COCKTAIL PRO AND SINKS

MODEL	A	B	C
CS30-1	29	10 <sup>5</sup> / <sub>8</sub>	22 <sup>3</sup> / <sub>4</sub>
LSK18	17	10 <sup>1</sup> / <sub>2</sub>	22

LSK24	23	10 <sup>1</sup> / <sub>2</sub>	22
LSK30	29	10 <sup>1</sup> / <sub>2</sub>	22

## WITH INSULATED JACKET INSTALLED

MODEL	A	B	C
LIJ27	33	11 <sup>5</sup> / <sub>8</sub>	24
LIJ30	36	11 <sup>5</sup> / <sub>8</sub>	26 <sup>1</sup> / <sub>2</sub>
LIJ36	42	11 <sup>5</sup> / <sub>8</sub>	24
LIJ42	48	11 <sup>5</sup> / <sub>8</sub>	26 <sup>1</sup> / <sub>2</sub>
LIJ54	60	11 <sup>5</sup> / <sub>8</sub>	26 <sup>1</sup> / <sub>2</sub>

## STORAGE SYSTEMS

MODEL	A	B	C
LSA30-4	25 <sup>5</sup> / <sub>8</sub>	19	24 <sup>1</sup> / <sub>2</sub>
LSA36-4	31 <sup>5</sup> / <sub>8</sub>	19	24 <sup>1</sup> / <sub>2</sub>
LSA42-4	37 <sup>5</sup> / <sub>8</sub>	19	24 <sup>1</sup> / <sub>2</sub>
LPA36-4	31 <sup>5</sup> / <sub>8</sub>	19	24 <sup>1</sup> / <sub>2</sub>

## TRASH CENTERS

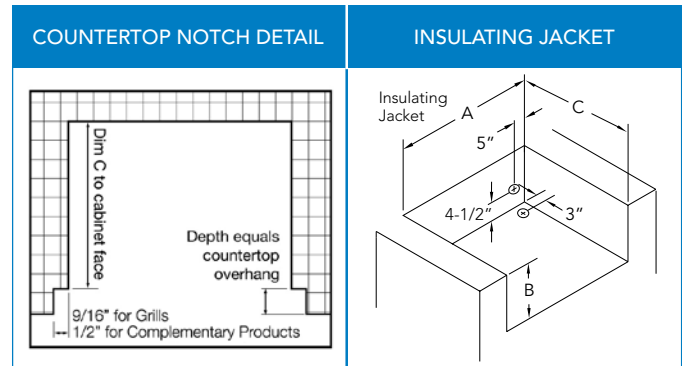
MODEL	A	B	C
L20TR-4	16 <sup>13</sup> / <sub>16</sub>	24	24 <sup>3</sup> / <sub>4</sub>
LTA30-4	25 <sup>5</sup> / <sub>8</sub>	19	24 <sup>1</sup> / <sub>2</sub>

## PIZZA OVEN

MODEL	A	B	C
LPZA	29	4	24 <sup>1</sup> / <sub>2</sub>

## SMOKER

MODEL	A	B	C
LSMK	29	4	24 <sup>1</sup> / <sub>2</sub>

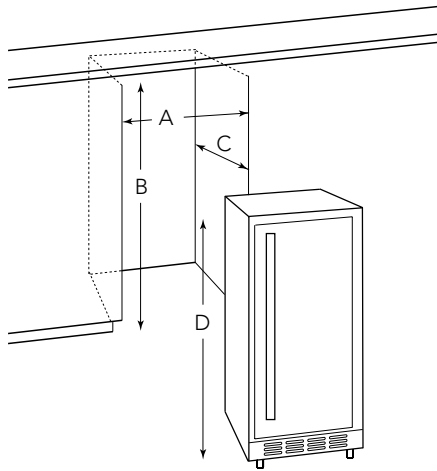


# SPECIFICATIONS

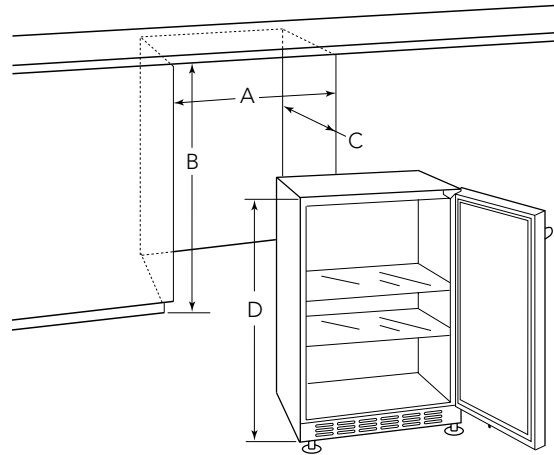
## OUTDOOR REFRIGERATORS

MODEL	A	B	C	D
L24REF	24 1/4	33	26	32
L24BF	24 1/4	34 1/2	26	34 1/4
L24DWR	24 1/4	34 1/2	26	34 1/4
L15ICE	15 1/4	34	26	33 1/2
L15WINE	15 1/4	35 1/2	26	34 3/8

### ICE MACHINE

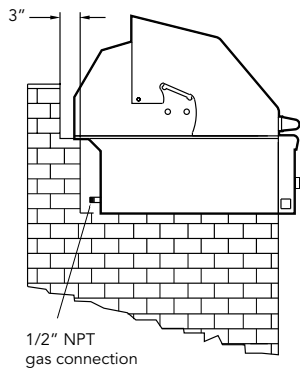


### OUTDOOR REFRIGERATOR

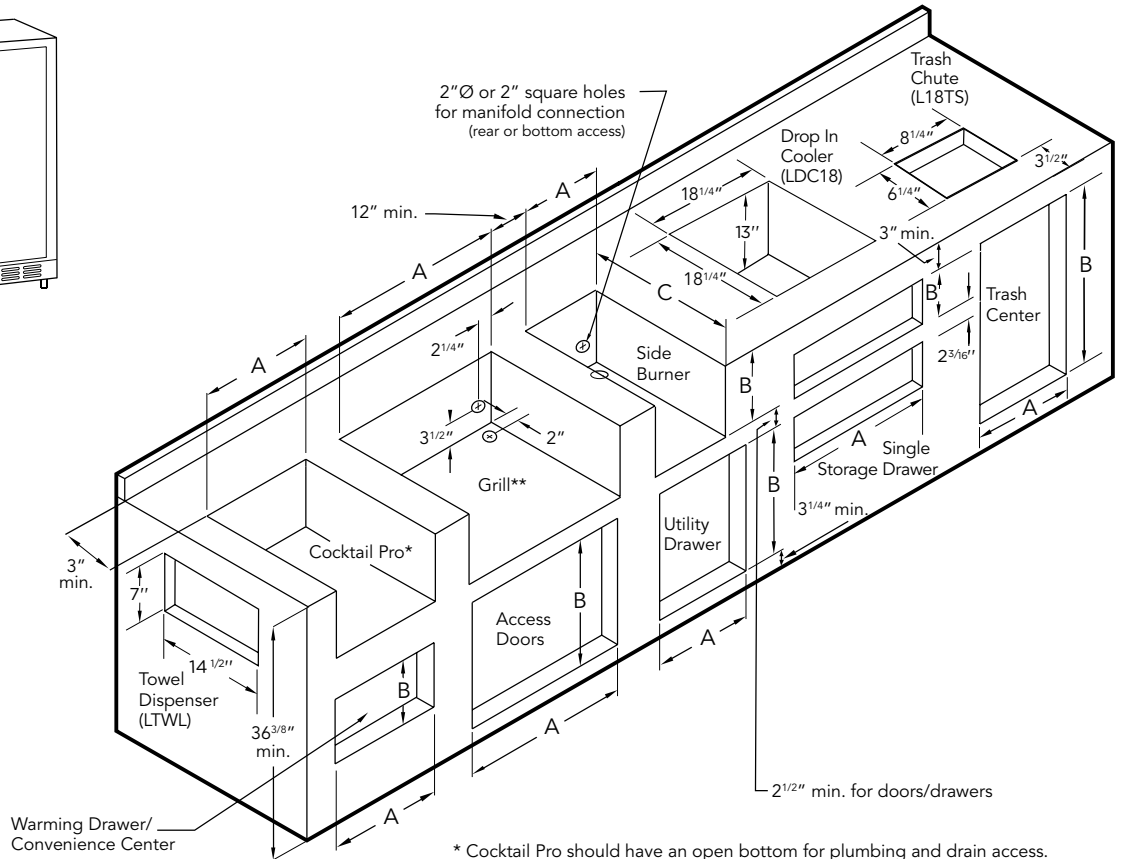


**Note:** See outdoor refrigerator/beverage dispenser installation manual for beverage tower details.

### CLEARANCE



1/2" NPT gas connection



\* Cocktail Pro should have an open bottom for plumbing and drain access.

\*\* 1" square hole must be located at rear of grill cutout. 120V GFI outlet must be located within 6' of the 1" hole.

SMART GRILL BY LYNX™

THE  
**FUTURE** OF  
**GRILLING**  
IS **HERE**



VISIT [WWW.SMART.LYNXGRILLS.COM](http://WWW.SMART.LYNXGRILLS.COM)



CONNECT WITH US ONLINE

CONNECT  
WITH US ON...



PRODUCT REGISTRATION ONLINE

Go to the "**Product Registration**" section on [www.lynxgrills.com](http://www.lynxgrills.com) to register your new Lynx Grill. The information you provide will not be shared with third parties or individuals without your consent.



MOM FRIENDLY. DAD READY.™

The best outdoor kitchen products come from:  
Lynx Grills, Inc., 7300 Flores Street, Downey, CA 90242

For more information, please call **1.888.289.5969**  
or visit [www.lynxgrills.com](http://www.lynxgrills.com)



P/N 35744 03/01/2016 ©Lynx Grills, Inc.

