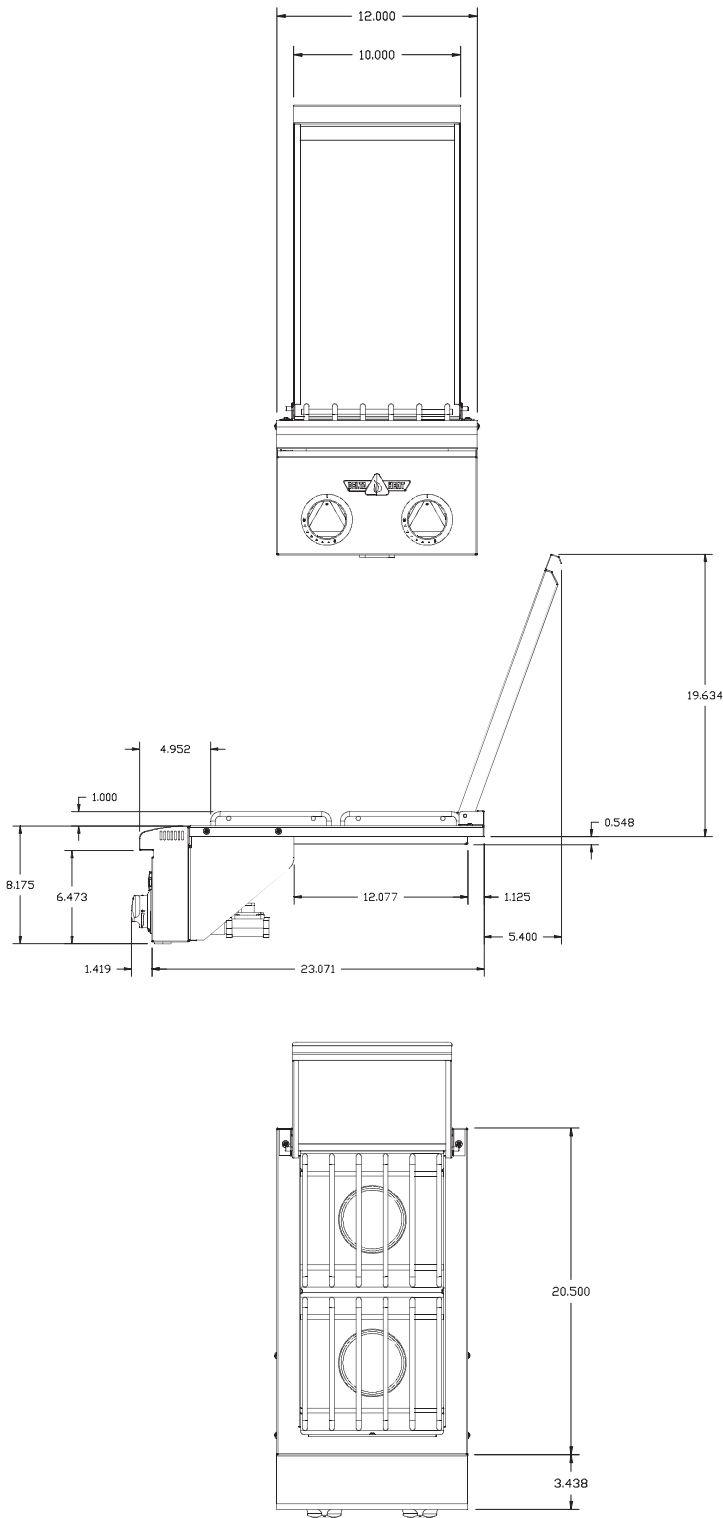


SIDE BURNER

12 inch double burner

Note: For detailed installation guide, refer to product manual



Box Dimensions
16 x 28 x 13 (inches)
Shipping Weight 31 lbs

Specifications

GENERAL

Model SIDE BURNER
SKU DHSB2-C

POWER REQUIREMENTS

Electrical Supply 9VDC Battery operated

GAS REQUIREMENTS

Natural Gas or Liquid Propane
Gas Supply 3/4" ID line
Gas Inlet 1/2" NPT female
Total BTU 27,000

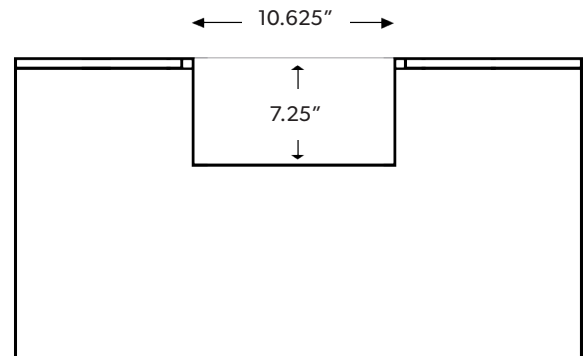
CLEARANCE REQUIREMENTS

Requires Minimum 12" all around
Non-Combustible Enclosure Only

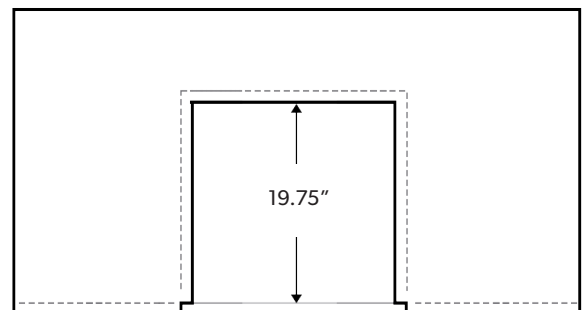
CUTOUT DIMENSIONS

Opening Width 10.625 inch
Opening Height 7.25 inch
Opening Depth 19.75 inch

NON-COMBUSTIBLE INSTALLATION



Face View



Top View