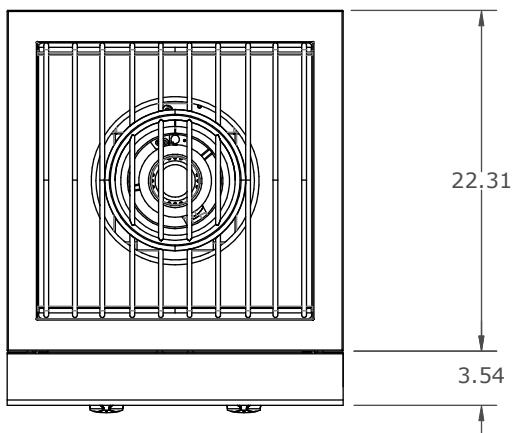
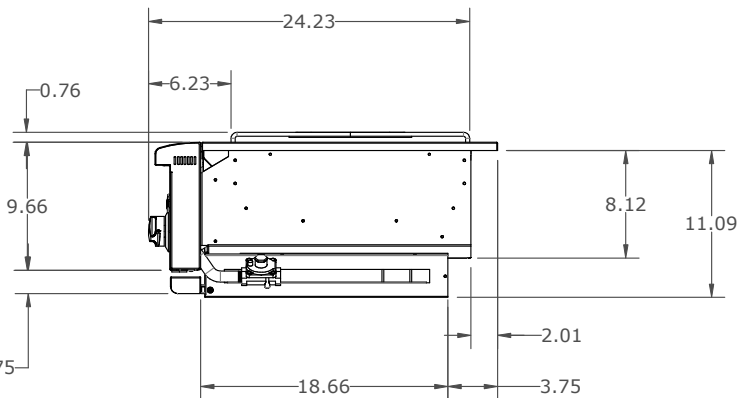
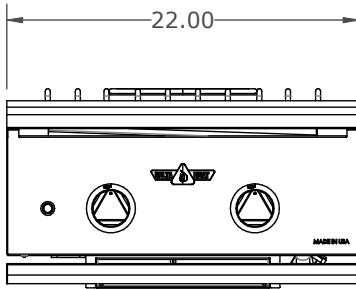


# POWER BURNER

22 inch outdoor burner

Note: For detailed installation guide, refer to product manual



Box Dimensions  
31 x 29 x 17 (inches)  
Shipping Weight 75 lbs

## Specifications

### GENERAL

**Model** POWER BURNER  
**SKU** DHPW22

### POWER REQUIREMENTS

**Electrical Supply** 120V, 60Hz, 4A  
**Electrical Service** 15 amp dedicated circuit  
**Power Cord Length** 5 feet  
**Receptacle** 3 prong grounding plug

### GAS REQUIREMENTS

Natural Gas or Liquid Propane  
**Gas Supply** 3/4" ID line  
**Gas Inlet** 1/2" NPT female  
**Total BTU** 60,000

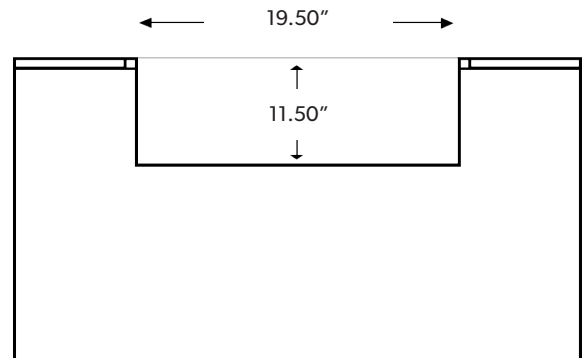
### CLEARANCE REQUIREMENTS

**Requires** Minimum 12" all around  
**Non-Combustible Enclosure Only**

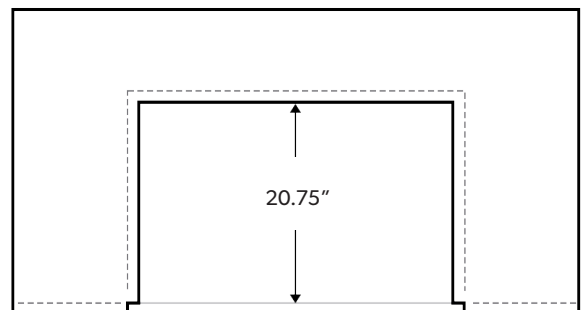
### CUTOUT DIMENSIONS

**Opening Width** 19.50 inch  
**Opening Height** 11.50 inch  
**Opening Depth** 20.75 inch

### NON-COMBUSTIBLE INSTALLATION



Face View



Top View