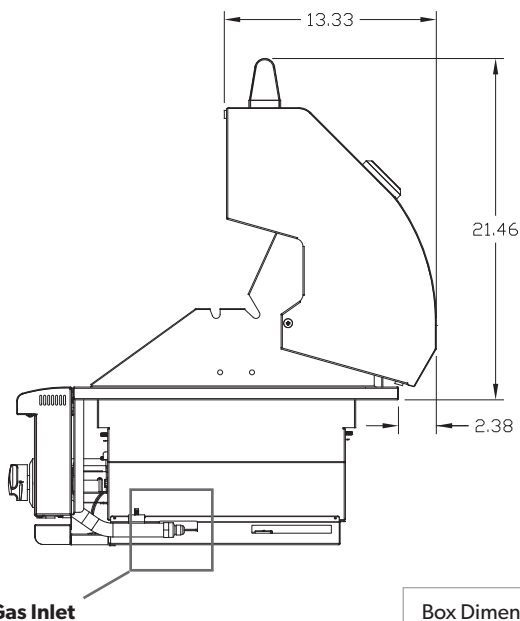
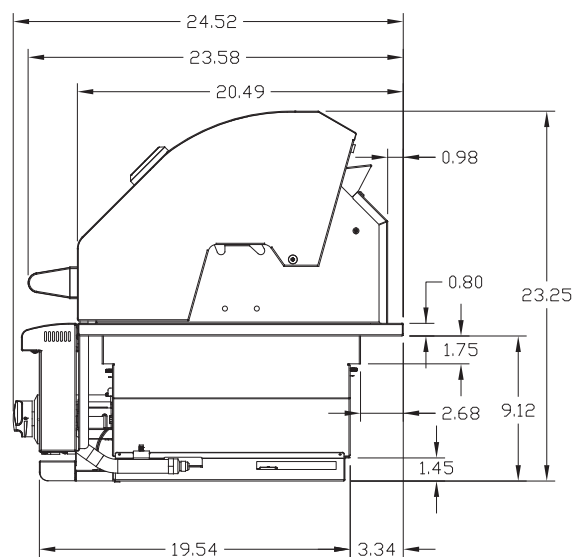
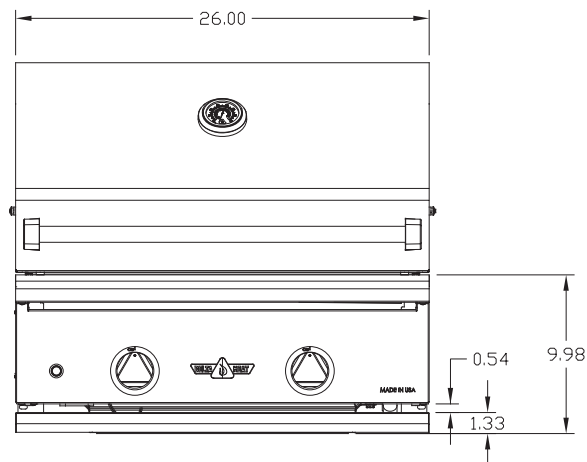


DELTA HEAT 26

26 inch outdoor gas grill

Note: For detailed installation guide, refer to product manual



Box Dimensions
28 x 30 x 27 (inches)
Shipping Weight 125 lbs

Specifications

GENERAL

Model DELTA HEAT 26
SKU DHBQ26G-D

POWER REQUIREMENTS

Electrical Supply 120V, 60Hz, 4A
Electrical Service 15 amp dedicated circuit
Power Cord Length 5 feet
Receptacle 3 prong grounding plug

GAS REQUIREMENTS

Natural Gas or Liquid Propane
Gas Supply 3/4" ID line
Gas Inlet 1/2" NPT female
Total BTU 31,000

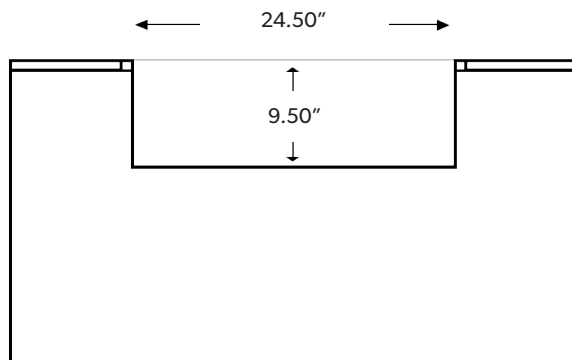
CLEARANCE REQUIREMENTS

Combustible Requires Insulating Jacket and Minimum 12" all around
Non-Combustible Minimum 3" from back, Minimum 6" on sides

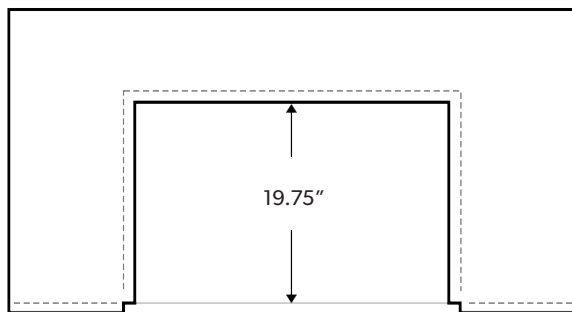
CUTOUT DIMENSIONS

Opening Width 24.50 inch
Opening Height 9.50 inch
Opening Depth 19.75 inch

NON-COMBUSTIBLE INSTALLATION



Face View



Top View