

GRILLS AND ACCESSORIES

DELTA HEAT COLLECTION

PRODUCT SPECIFICATIONS

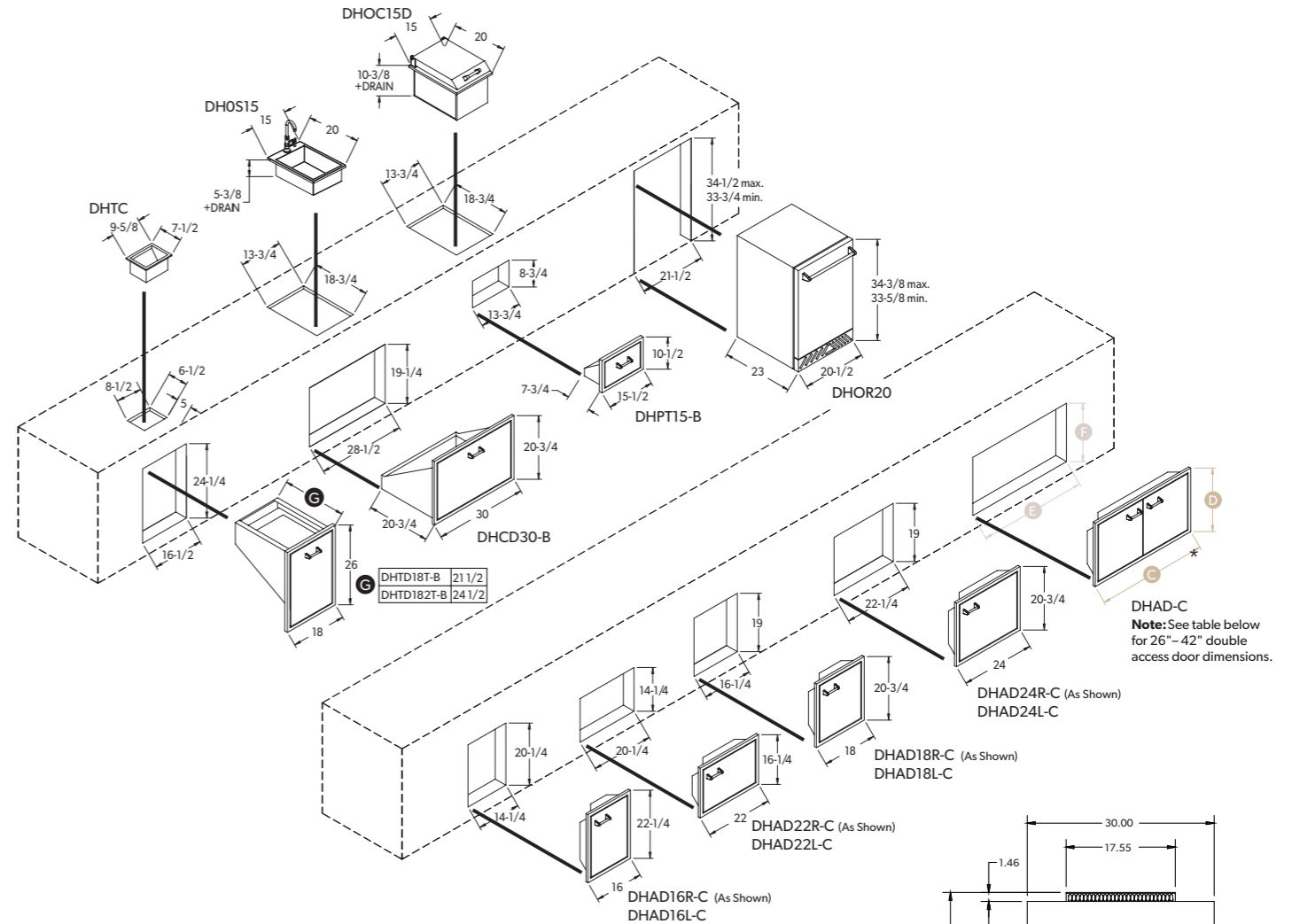
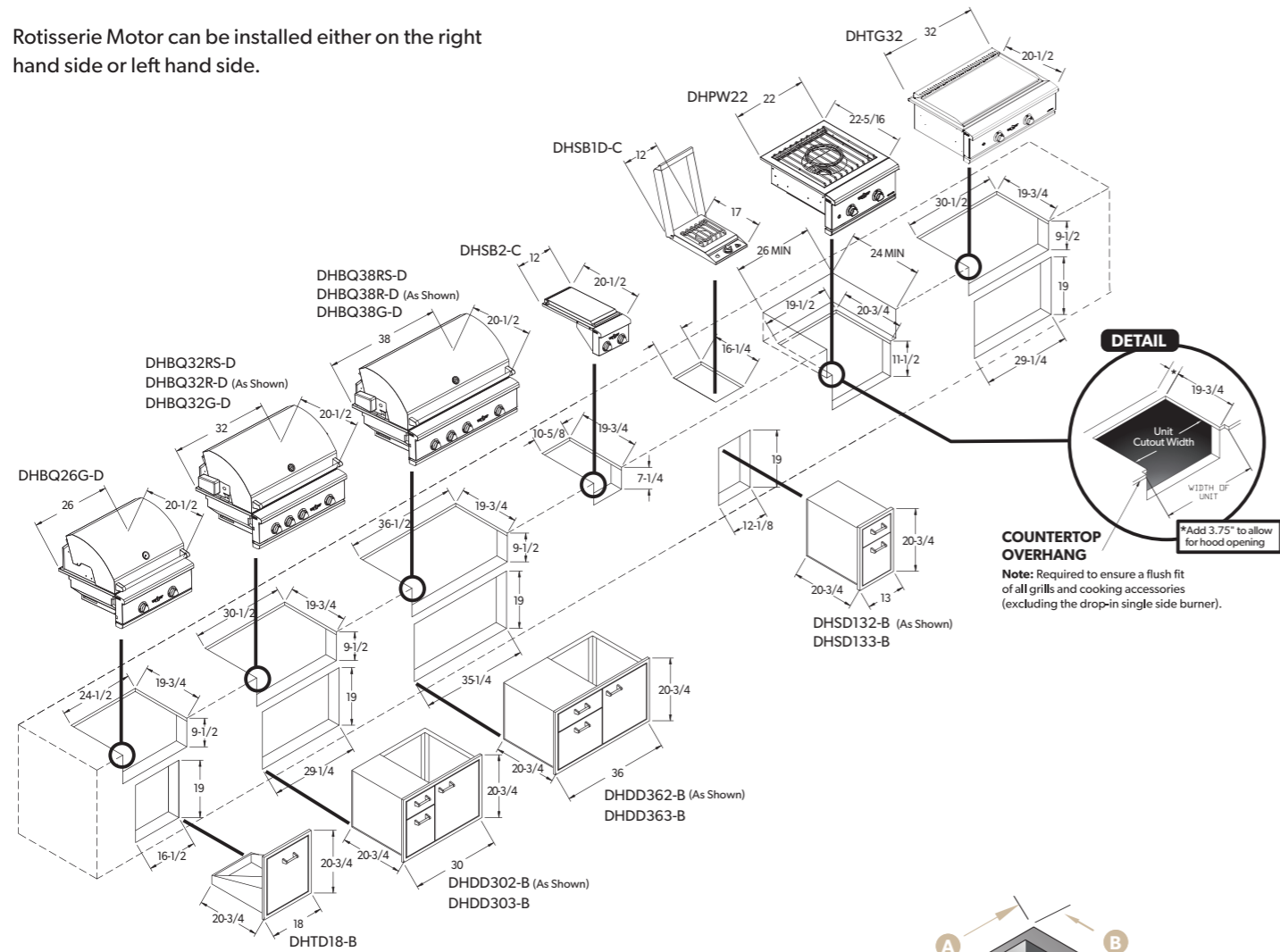


 **DOMETIC** HOME

CUTOUT DIMENSIONS

Allow minimum of 3" clearance from the grill's rear edge (3.75" from cutout) to the backsplash to allow hood to fully open.

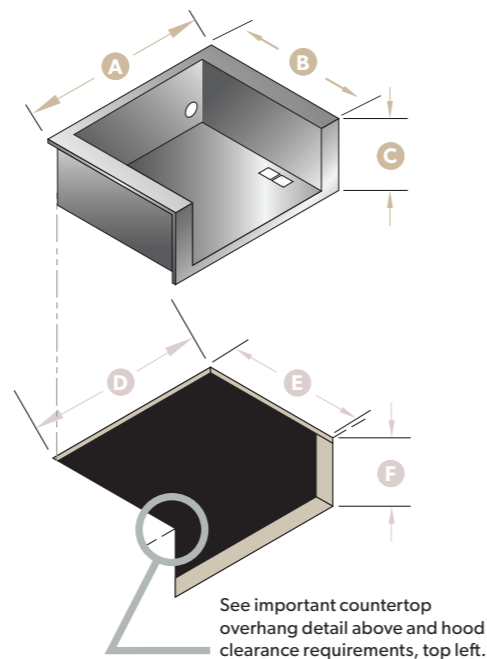
Rotisserie Motor can be installed either on the right hand side or left hand side.



INSULATING JACKETS

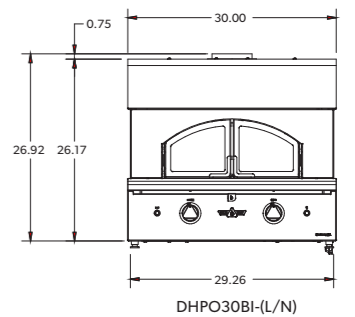
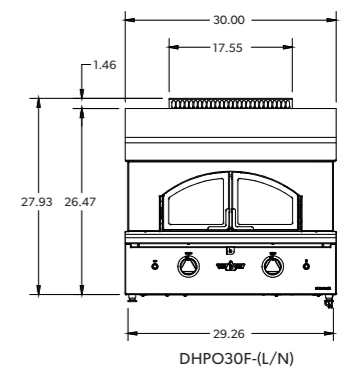
- Stainless steel construction
- Polished stainless steel trim
- For installation in combustible construction

MODEL NUMBER	OVERALL DIMENSIONS			CUTOUT DIMENSIONS		
	A WIDTH	B DEPTH	C HEIGHT	D WIDTH	E DEPTH	F HEIGHT
DHIJ22	25-7/8"	23-1/2"	13"	24"	22-1/2"	12-1/2"
DHIJ26	30-7/8"	22-1/4"	11"	29"	21-1/2"	10-1/2"
DHIJ32	36-7/8"	22-1/4"	11"	35"	21-1/2"	10-1/2"
DHIJ38	42-7/8"	22-1/4"	11"	41"	21-1/2"	10-1/2"



*DHAD-C – DOUBLE ACCESS DOORS

MODEL NUMBER	OVERALL DIMENSIONS		CUTOUT DIMENSIONS	
	C WIDTH	D HEIGHT	E WIDTH	F HEIGHT
DHAD26-C	26	20 3/4	24 1/4	19
DHAD30-C	30	20 3/4	28 1/4	19
DHAD32-C	32	20 3/4	30 1/4	19
DHAD36-C	36	20 3/4	34 1/4	19
DHAD38-C	38	20 3/4	36 1/4	19
DHAD42-C	42	20 3/4	40 1/4	19



Dometic Delta Heat reserves the right to change the specifications, designs and materials of the products without notice. Please verify the specifications prior to finalizing your enclosures.

DOMETIC DELTA HEAT

13259 East 166th Street
Cerritos, CA 90703
Tel 800 789 2206

DELTAHEAT.COM

