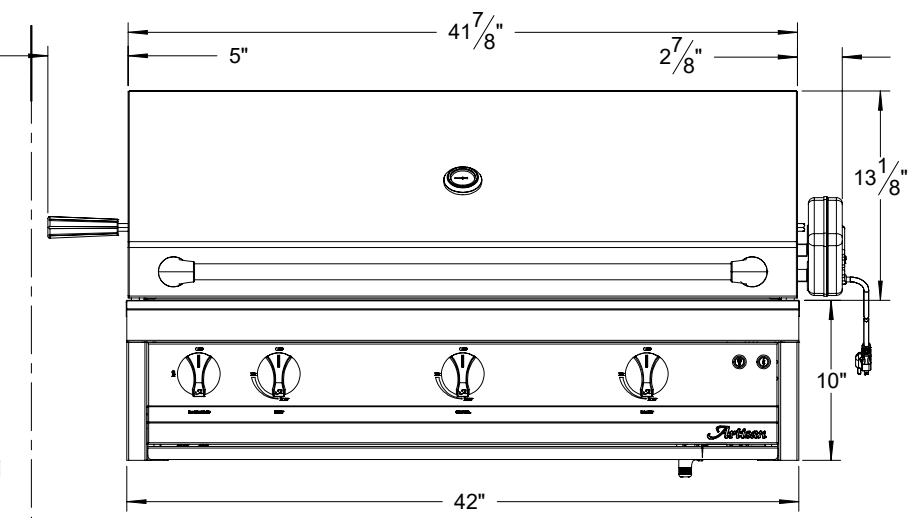
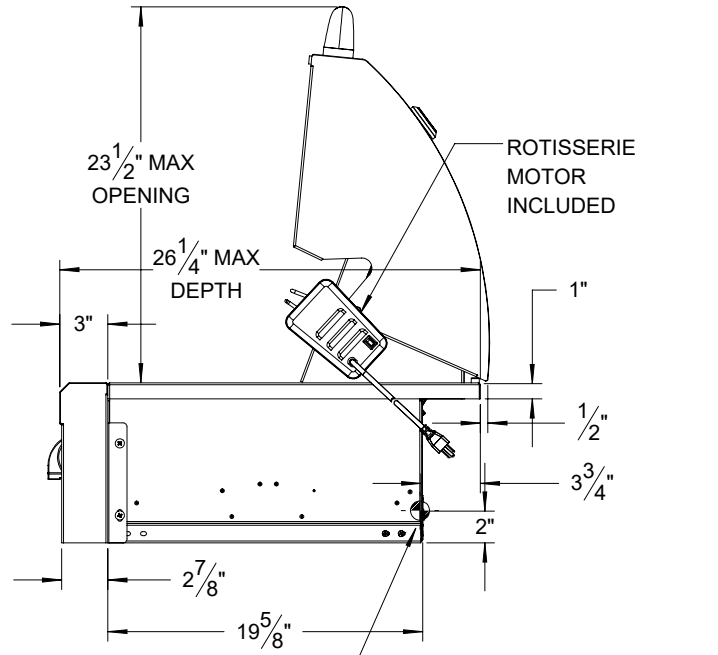
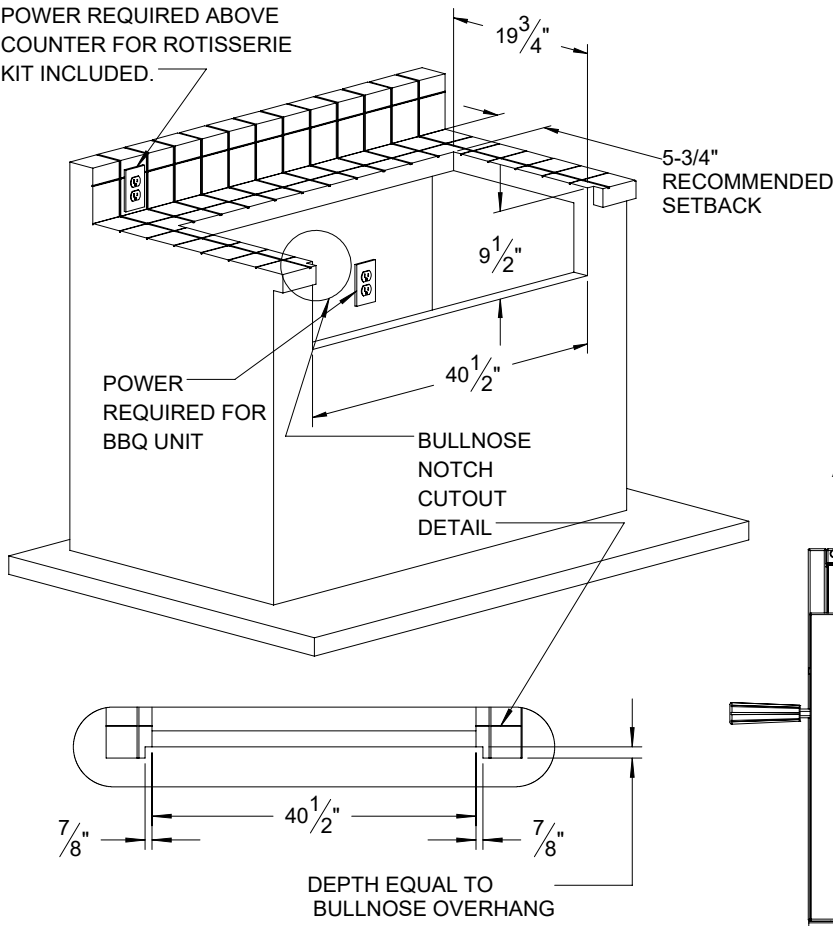


TYPICAL ARTP-42 INSTALLATION

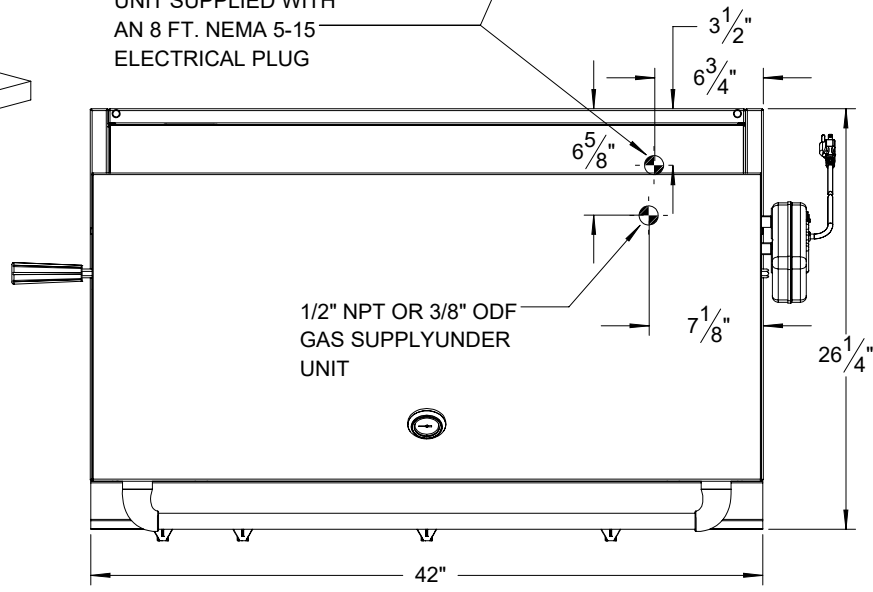


COUNTERTOP CUTOUT REQUIREMENTS

POWER REQUIRED ABOVE COUNTER FOR ROTISSERIE KIT INCLUDED.



UNIT SUPPLIED WITH AN 8 FT. NEMA 5-15 ELECTRICAL PLUG



SPECIFICATIONS:

BTUH = TBD
 FUEL NG @ 5 W.C. / LP @ 10 W.C.
 ELECTRICAL POWER: 115 VAC / 0.71AMPS / 60 Hz.
 GAS CONNECTION: 1/2" NPT (NG) OR 3/8" ODF (LP)

NOTE:
 COUNTER MUST HAVE THE PROPER GAS SUPPLY AND ELECTRICAL POWER FOR YOUR ARTISAN BBQ.

<p>Artisan™ SUPERIOR EQUIPMENT SOLUTIONS 1085 BIXBY DRIVE CITY OF INDUSTRY, CA. 91745</p>	<p>THE INFORMATION CONTAINED IN THIS DRAWING IS THE SOLE PROPERTY OF SUPERIOR EQUIPMENT SOLUTIONS INC. ANY REPRODUCTION IN PART OR AS A WHOLE WITHOUT WRITTEN PERMISSION FROM SUPERIOR EQUIPMENT SOLUTIONS, INC. IS PROHIBITED.</p>	<p>PROJECT TITLE: ARTISAN GRILLS</p>	<p>DRAWING NO.: ARTP-42 SPEC SHEET</p>
	<p>DRAWN BY: ADRIAN CRISCI LAST SAVED: 1/15/2020 3:21:02 PM</p>	<p>DRAWING TITLE: ARTP-42 SPECIFICATIONS</p>	<p>SHEET 1 OF 1</p>